

DC 2900

H a eco/c eco/L eco

Translation of the Original Instructions
Übersetzung der Originalbetriebsanleitung
Traduction des instructions de service d'origine
Vertaling van de originele gebruiksaanwijzing
Traducción del manual de instrucciones de servicio original

Art.nr. 94164-I
2021-09-15



Läs bruksanvisningen före användning av maskinen.

Read the instruction manual before using the machine.

Bitte lesen Sie die Betriebsanleitung vor Inbetriebnahme der Maschine sorgfältig durch.

Lisez le manuel d'instructions avant d'utiliser la machine.

Lees de gebruiksaanwijzing voor het gebruik van de machine.

Lea el manual de instrucciones antes de usar la máquina.

Lue käyttöohjeet ennen laitteen käyttöä.

Les bruksanvisningen før du bruker maskinen.

Læs brugsanvisningen, inden maskinen anvendes.

Dustcontrol reserverar sig för tryckfel och produktförändringar.

Dustcontrol reserves the right to change specifications without notice and is under no obligation to alter previously delivered products. Dustcontrol is not responsible for errors or omissions in this user instruction.

Keine Gewähr für Druckfehler. Produktänderungen vorbehalten.

Dustcontrol se réserve le droit de modifier les spécifications sans indication préalable et sans aucune obligation de changer les produits déjà livrés. Dustcontrol n'est pas responsable des erreurs et omissions faites dans ce livret.

Dustcontrol is niet aansprakelijk voor drukfouten in deze gebruikers handleiding of voor tussentijdse wijzigingen. Dustcontrol behoudt zich het recht voor de specificaties van haar machines te wijzigen zonder voorafgaande aankondiging en is niet verplicht reeds geleverde machines hierop aan te passen. Uitvoering en leveringsomvang kunnen plaatselijk afwijken.

Dustcontrol se reserva el derecho de cambiar las especificaciones sin notificarlo, no teniendo obligaciones de modificar los productos previamente suministrados. Dustcontrol no es responsable por errores u omisiones en este catálogo.

Dustcontrol varaa oikeuden painovirheisiin tai tuotemuutoksiin.

Dustcontrol reserverer seg for trykkfeil og produktforandringer.

Dustcontrol tager forbehold for trykfejl og produktændringer.

Tillverkare/Manufactured by/Hersteller/Fabriqué par/Gefabriceerd door/Fabricado por/Valmistajat/Producent/Producenter

Såld av/Sold by/Verkauft von/Vendu par/Verkocht door/Vendido por/Sælges af

Dustcontrol AB
Box 3088, Kumla Gårdsväg 14
SE-145 03 Norsborg
Tel: +46 8 531 940 00
support@dustcontrol.se
www.dustcontrol.com

Innehållsförteckning

DC 2900	7
Safety instructions	7
Warning	7
Environmental protection	7
Work area environment	8
Overload	8
Bodily injuries	8
Power cord	8
Important safety precaution	8
Care and maintenance	8
Inspection	8
Functional description	9
Technical data	10
Operation	11
Connection	11
Autostart	11
Filter cleaning:	11
Emptying	12
a – Container	12
c – Plastic bag	12
L – Longopac	13
Service/Maintenance	14
Cleaning	14
Filter replacement	14
Motor	14
Regular checks	14
Assembly	15
Consumables	16
Warranty	17
Troubleshooting	18
Reservedele/Spare parts/Ersatzteile/Pièces de rechange/Recambios/Varaosat/ Reserveonderdelen/Reservedeler/ Reservdelar	19
EC Declaration of Conformity	24
WEEE (Waste of Electric and Electronic Equipment)	25
Contact	26
DC 2900	27
Sicherheitsvorschriften	27
Warnung	27
Umweltschutz	27
Arbeitsbedingungen	28
Überlastung	28
Körperverletzungen	28
Kabel	28
Wichtige Maßnahmen	28
Sorgfalt	28
Kontrolle	28
Funktionsbeschreibung	29
Technische Daten	30
Betrieb	31
Anschluss	31
Autostart	31
Filterreinigung	31
Leeren	32
a - Behälter	32
c- Plastiksack	32
L - Longopac	33
Service/Wartung	34
Reinigung	34
Filterwechsel	34
Motor	34
Regelmäßige Überprüfung	34
Montage	35
Verbrauchsmaterialien	36
Gewährleistung	37
Fehlersuche und -behebung	38

Reservedeel/Spare parts/Ersatzteile/Pièces de rechange/Recambios/Varaosat/ Reserveonderdelen/Reservedeler/ Reservdelar	39
EG-Konformitätserklärung	44
WEEE (Abfall von Elektro- und Elektronik- Altgeräte)	45
Kontakt	46
DC 2900	47
Indicaciones de seguridad	47
Advertencia	47
Protección del medio ambiente	47
Entorno de trabajo	48
Sobrecarga	48
Lesiones corporales	48
Cable de alimentación	48
Medida importante	48
Cuidados	48
Control	48
Descripción de las funciones	49
Datos técnicos	50
Funcionamiento	51
Conexión	51
Autoarranque	51
Limpieza de los filtros	51
Vaciado	52
a - Depósito	52
c- Bolsa de plástico	52
L- Longopac	53
Puesta a punto/Mantenimiento	54
Limpieza	54
Cambio de los filtros	54
Motor	54
Verificación periódica	54
Montaje	55
Consumibles	56
Garantía	57
Detección y resolución de problemas	58
Reservedeel/Spare parts/Ersatzteile/Pièces de rechange/Recambios/Varaosat/ Reserveonderdelen/Reservedeler/ Reservdelar	59
Declaración de conformidad para el mercado CE	64
RAEE (Residuos de aparatos eléctricos y electrónicos)	65
Contacto	66
DC 2900	67
Consignes de sécurité	67
Avertissement	67
Protection de l'environnement	67
Environnement de travail	68
Surchauffe	68
Blessures	68
Cordon d'alimentation	68
Mesure importante	68
Entretien	68
Contrôle	68
Description fonctionnelle	69
Caractéristiques techniques	70
Fonctionnement	71
Branchement	71
Démarrage automatique	71
Nettoyage du filtre	71
Vidange	72
a- Conteneur	72
c- Sac en plastique	72
L- Longopac	73
Entretien/maintenance	74
Nettoyage	74
Remplacement de filtre	74
Moteur	74
Contrôle régulier	74
Montage	75
Consommables	76

Garantie	77
Recherche de pannes	78
Reservedele/Spare parts/Ersatzteile/Pièces de rechange/Recambios/Varaosat/ Reserveonderdelen/Reservedeler/	
Reservdelar	79
Déclaration CE	84
DEEE (Déchets d'équipements électriques et électroniques)	85
Contacter	86
DC 2900	87
Veiligheidsvoorschriften	87
Waarschuwing	87
Milieubescherming	87
Arbeidsomstandigheden	88
Overbelasting	88
Lichamelijk letsel	88
Netsnoer	88
Belangrijke maatregel	88
Onderhoud	88
Controle	88
Beschrijving van de werking	89
Technische gegevens	90
Bediening	91
Aansluiting	91
Auto-start	91
Reinigen van het filter	91
Legen	92
a- Container	92
c- Plastic zak	92
L - Longopac	93
Service/onderhoud	94
Schoonmaken	94
Filter vervangen	94
Motor	94
Regelmatige controle	94
Montage	95
Verbruiksartikelen	96
Garantie	97
Probleemoplossing	98
Reservedele/Spare parts/Ersatzteile/Pièces de rechange/Recambios/Varaosat/ Reserveonderdelen/Reservedeler/	
Reservdelar	99
EG-verklaring	104
WEEE (Waste of Electric and Electronic Equipment), ofwel AEEA: Afval van elektrische en elektronische apparatuur ...	105
Contact	106

Safety instructions

Read the following safety instructions before starting the machine. Save the User Guide for future reference. Failure to comply with the safety instructions voids the warranty and may result in personal injury and damage to the product. Dustcontrol is not responsible for damage to the equipment caused by improper installation or improper operation of the equipment.

Warning

This machine is intended for professional use only.

Only use accessories and replacement parts included in the Dustcontrol product line.



WARNING

Use the machine for its intended purpose. Follow the instructions for the material to be extracted.



WARNING

This machine is only intended for extraction of dry material.



WARNING

When using electrical devices, basic safety instructions must be followed to reduce the risk of fire, electric shock or personal injury.



WARNING

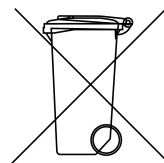
If incorrect or non-OEM parts are used (especially filters, hoses and plastic bags), the machine can leak hazardous dust which may result in personal injury.

Environmental protection

Packaging materials can be recycled. Do not dispose of the packaging in household waste. Instead it should be returned for recycling. Discarded units contain recyclable materials that should be recycled. Batteries, oil and similar items must not get into the environment. Dispose of scrapped units in an appropriate recycling system.

Discarded units contain recyclable material that should be recycled. Batteries, oil and similar substances must not be released into the environment. Hand over scrapped units to a suitable recycling system.

Discarded filters contain recyclable material that should be recycled. Transfer used filters to a suitable recycling system.



For more information, please contact your nearest recycling center.

Work area environment

Do not expose the machine to moisture. Do not use it in damp or wet areas or close to flammable liquids or gases.



CAUTION

This machine must only be used and stored in a dry environment.



CAUTION

Do not rinse the machine with water.

Overload

Never let the machine work fully throttled, as this poses a risk of overheating.

Bodily injuries



CAUTION

Never try to change electrical connections yourself. An error can be fatal!

Never allow the extraction point to make contact with any part of the body. The strong negative pressure can damage blood vessels in the skin.



WARNING

When installing, handling, and transporting the machine, protective gloves must be worn to prevent personal injury from sharp edges.

Power cord

Never pull the machine by the power cord. Keep the power cord away from heat and sharp objects. Regularly inspect the power cord.

If using an extension cord, it must be waterproof.

The machine must not be used if the power cords or contacts are damaged.

If the power cord is damaged, it must be replaced by Dustcontrol or a Dustcontrol authorized service center.

Important safety precaution

The machine must only be used if all filters are intact and fitted properly.

Care and maintenance

Keep the machine clean and free from dust deposits. Ensure that the suction hose and all seals are intact and undamaged. Keep the carrying handles dry and free from oil and grease.

Inspection

Regularly check the device for damage and wear. Any damage must be rectified by a Dustcontrol authorized service center.

Functional description

The dust extractor uses negative pressure (suction) to force the air through a suction cover/nozzle, hose system, pre-separator and dust separator. Coarse separation is carried out in the machine's cyclone, providing very effective separation of any coarse dust. Fine dust is separated in the units filter. Reverse-pulse filter cleaning ensures extended filter life. The machine is fitted with a HEPA filter.

The dust extractor has the following discharge options:

c - Plastic bag: The extracted and separated material is collected in a 20 liter plastic bag that can be detached with a simple operation. The material can therefore easily be recycled or disposed of.

a - Container: A cylindrical container for collection of separated material.

L – Longopac: The machine is equipped with a flexible bag system, in which the dust is collected in a closed system.

Technical data

	DC 2900a	DC 2900c	DC 2900L
HxWxL [mm]	1145x445x630	1110x445x570	1110x445x570
Weight [kg]	22	16 / 35	19
Inlet [mm]	Ø 50	Ø 50	Ø 50
Hose length Ø38 [m]	5	5	5
Collecting container [l]	40	20	longopac
Max. flow [m ³ /h]	205	205	205
Negative pressure, max. [kPa]	24	24	24
Power [W]	1285 (230)	1285 (230)	1285 (230)
Auto: Power, connected tool*/min. 200 W	max		
	230 V/10 A: 1200 W		
	230 V/16 A: 2200 W		
Fine filter, polyester, area [m ²]	1,5	1,5	1,5
Degree of separation, fine filter	99,9	99,9	99,9
Filter area, HEPA filter [m ²]	0,85	0,85	0,85
Degree of separation, machine, EN 60335-2-69, Appendix A-A, Class H [%]	99,995	99,995	99,995
Filter classification, EN 1822-1	HEPA H13	HEPA H13	HEPA H13
Sound level [dB(A)]	< 68	< 68	< 68

Operation

Connection

Connect the machine to an electrical outlet with a voltage as per the machine's rating plate specifications.

Autostart

Connect the power tool to the electrical outlet on the machine. Set the switch to AUTO. The machine will then automatically start when the tool is used. The machine turns off a few seconds after the connected tool is powered down. To manually start the extractor, set the switch to MAN.

Filter cleaning:

The machine has a filter status indicator that lights up when the filter needs to be cleaned or replaced. The filters must be cleaned 1-2 times a day with continuous use and when the manometer needle is in the red field.

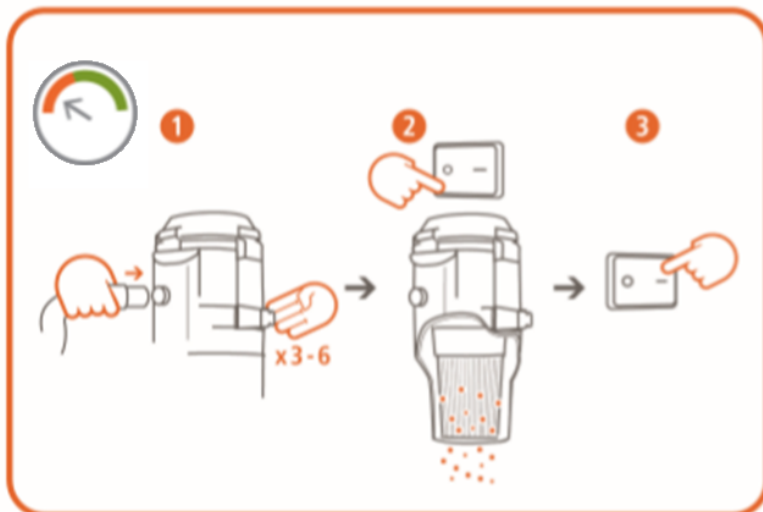
The filters should be cleaned when the manometer is in the red field.



Cleaning the filter:

During filter cleaning, the machine should be running and the hose removed from the suction pipe.

1. Press the connector sleeve against the black stop lug on the exhaust duct or against the floor in order to produce maximum negative pressure in the cyclone.
 Open and close the hatch on the side 3-6 times. Air flows into the machine and cleans the filter by creating a reverse pulse.
2. Turn off the machine and let the material fall down. Reconnect the suction pipe.
3. Start the machine.
4. If the manometer needle is back in the green zone, work can continue. If it remains in the red zone, the cleaning process should be repeated. Some actions (such as those that restrict air flow) may cause the manometer to display a high value (needle in the red zone). The machine should never be left on continuously when the meter is in the red zone, as there is a risk of overheating. The transition from the green zone to the red zone takes place at 18 kPa.



Emptying

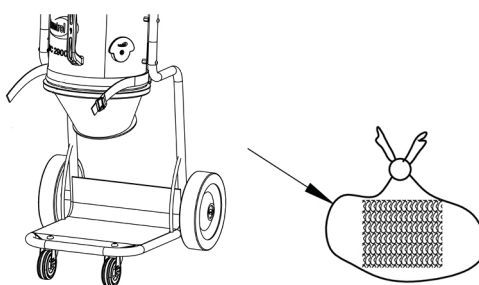
a – Container

The container underneath the cyclone should be emptied when about 2/3 full.

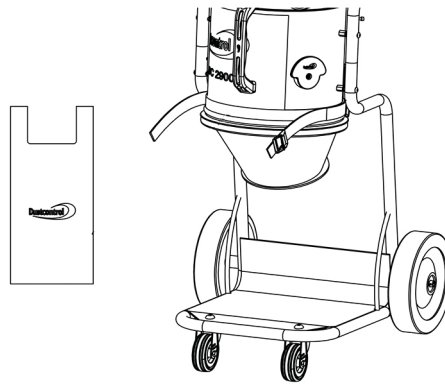
c – Plastic bag

You must clean the filters before replacing the plastic bag. It should be replaced when the dust level is about 5 cm below the discharge flap.

Dust-free bag change



The machine should be switched for the duration of the bag change. Remove the bag. The bag must be sealed as soon as it is removed from the machine. Only use Dustcontrol's original bags.



Fit the new bag. Use the strap for dust-free work. Use the hooks for simple suspension of the bag.

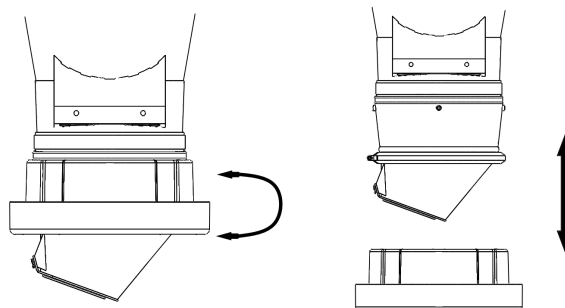
Clean the filter and use the dust extractor.

L – Longopac

Close the bag using the supplied cable ties when you believe that it has been filled to a suitable level. Another cable tie is used a little further up. This forms the bottom of the next bag. The filled bag is then cut off, and the machine is ready to be used again.

Changing the bag magazine

1. Rotate the holder to the position in which it can be pulled down.
2. Insert a bag magazine into the holder and refit it.
3. Cut the four tapes that hold the bag magazine together and pull the inner end of the bag upwards over the rubber strip. Then secure the bag with the strap. Pull the outer end over the holder, and tie a cable tie in place as a bottom closure.



Service/Maintenance

Cleaning

The machine must be switched off and unplugged before cleaning and maintenance.

Filter replacement

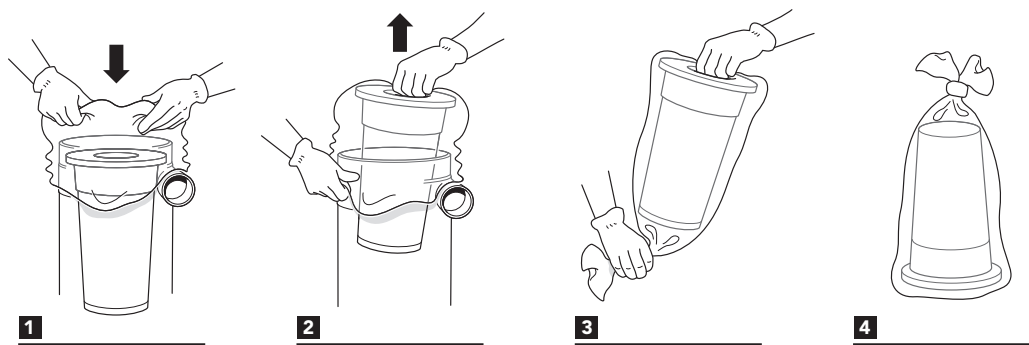
The fine filter must be replaced at least once a year. Only original filters may be used. HEPA filters must be replaced after 300 hours.



WARNING

Filter replacement may only be performed by trained personnel. Use a protective mask and suitable equipment.

Release and lift off the upper part for free access to the filter. Lift the filter straight up. If appropriate, fit a plastic bag over the cyclone to prevent the dust in the filter from spreading. Check the gasket when replacing the filter. A worn gasket can allow hazardous dust to escape. Never use old gaskets or non-OEM parts. Place used filters in a plastic bag and seal the bag. See instructions below.



Motor

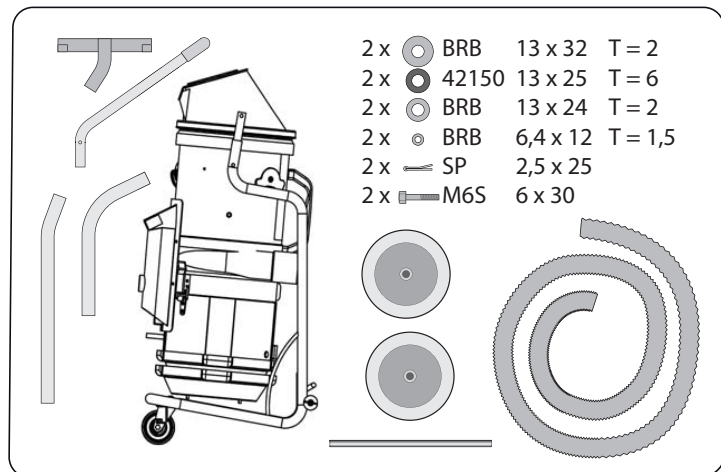
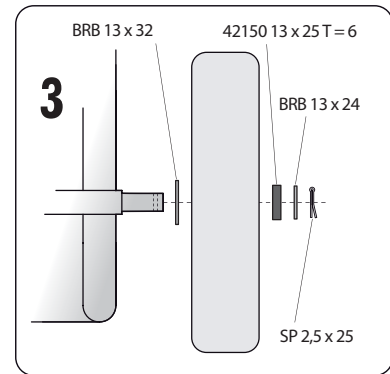
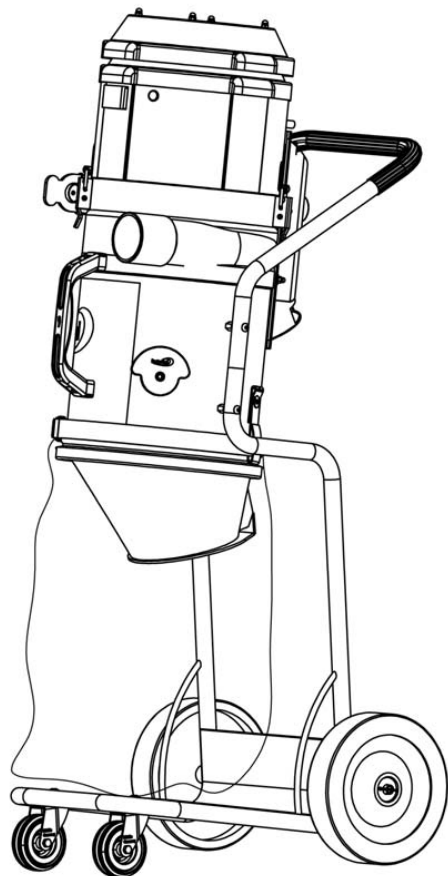
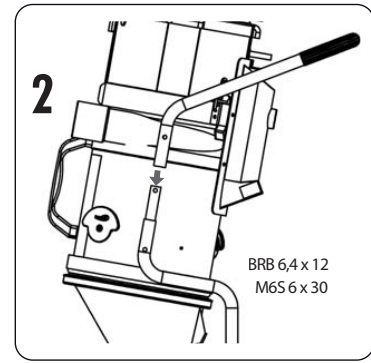
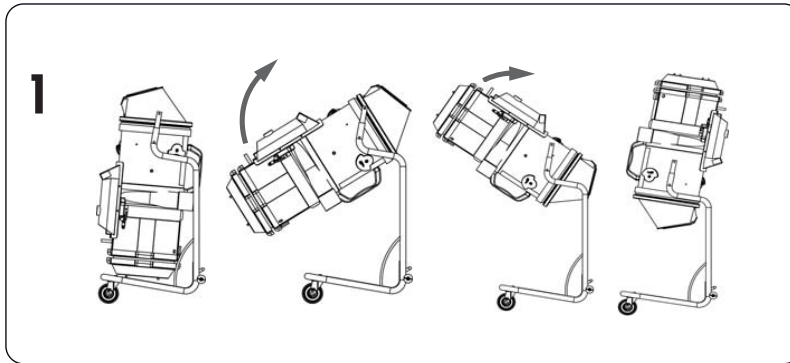
The typical service life of a fan motor's original brushes is 600-700 hours. The brush can be replaced. The service life of the second brush set is approx. 400 hours, while that of the third set is approx. 300 hours. After this time, the motor is considered worn out and should be replaced.

Regular checks

Regularly check the power cord for damage.

The machine must be tested and inspected at least once a year due to its use with hazardous materials. Worn parts must be replaced. Never risk functionality and service life. Only use genuine parts.

DC 2900



Consumables

Description	Part No.
Plastic bag, standard	42291
Plastic bag Longopac 12m	44763
Plastic bag Longopac 23m	432177
Fine filter, cellulose with integrated filter guard	42029
Fine filter, polyester with integrated filter guard	42028
HEPA filter	42027

For spare parts, see the [Dustcontrol website](#).

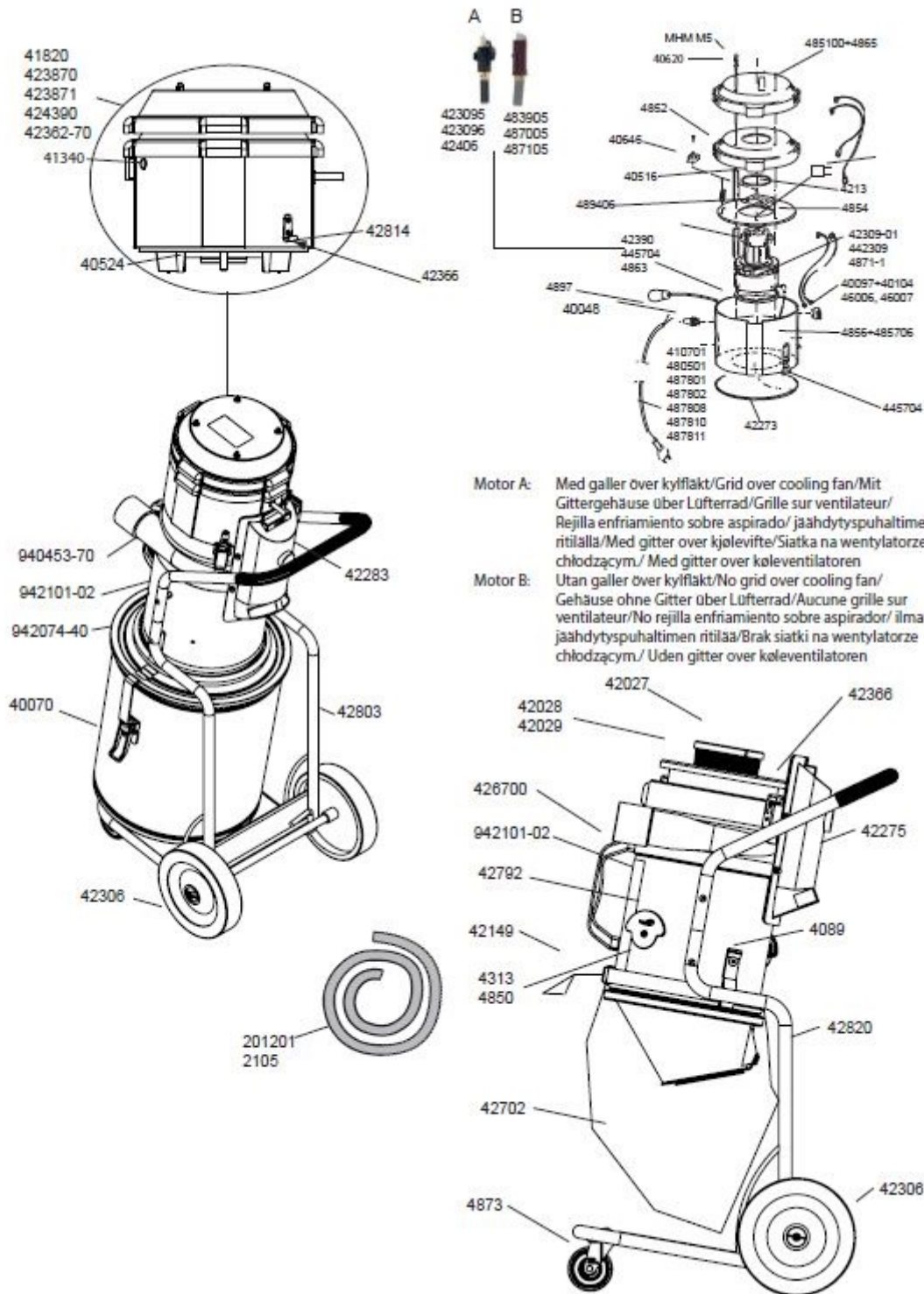
Warranty

The warranty period is two years and covers manufacturing defects. The warranty is valid on condition that the machine is used in the normal way and receives the required service. Normal wear and tear is not covered. Repairs must be carried out by Dustcontrol or personnel authorized by Dustcontrol. Otherwise, the warranty is void.

Troubleshooting

Problem	Cause	Action
Motor not running.	Power supply not connected.	Connect power supply.
Motor stops immediately after starting.	Incorrect fuse.	Replace with correct fuse.
Motor runs, but no suction.	Suction hose not connected.	Connect hose.
Motor runs, but poor suction.	Suction hose perforated.	Replace hose.
	Blocked filter.	Clean or replace.
	Suction hose too long or narrow.	Replace hose.
	Hose partially blocked.	Reverse or clean hose.
	Top of machine poorly fitted.	Adjust fitting.
	Dust trapped in cyclone.	Remove top and clean cyclone.
	The pump is rotating in the wrong direction.	Let an electrician change the phase.
Motor stops during operation	Motor overheated	Make sure the machine is not throttled and wait for it to cool down (about 30 min)
Machine blows dust.	Filter loose or damaged.	Check and replace as necessary.
Abnormal sound from machine.		Book service.

Reservedele/Spare parts/Ersatzteile/Pièces de rechange/Recambios/Varaosat/ Reserveonderdelen/Reservedeler/Reservdelar



Svenska

Art nr	Benämning	Art nr	Benämning	Art nr	Benämning
201201	Sugslang 38, vridbar anslutningshylsa, antistatisk	423870	Motoröverdel 1285 W 230 V	4852	Lock med hål
2105	Sugslang 38, muff, L=5m	42390	Packning till motor 42309	4854	Platta
40048	Böj-skydd	423095	Borstmekanism Eco-motor, 1285 W, 230 V	4856	Ljudabsorbent för 485702
40070	Behållare, 40 l, plåt	42406	Borstmekanism 1400 W, 230 V	485706	Motormantel
40516	Distans	424390	Motoröverdel auto	4863	Packning
40524	Styrfläns	426700	Handtag	4865	Ljudabsorbent för 485100
40620	Pinnskruv	42702	Plastsäck	487005	Borstmekanism 1200 W, 230 V
40646	Kopplingsplint	42792	Hållare säck	4873	Länkhjul
4089	Spännbandshållare	42803	Chassi DC 2900a	487810	Sladdställ, EU
410701	Sladdställ Auto, EU	42814	Hake	489406	Kretskort 230 V
41340	Indikeringslampa med röd lins	42820	Chassi DC 2900c	4897	Sladdställ Auto med hona
42027	Mikrofilter	4313	Spännband	940453-70	Modul, inlopp, monterad
42028	Finfilter, polyester	442309	Ombyggnadskitt Eco-motor, 230 V EU	94164-E	Bruksanvisning i original, DC 2900a/c/Auto
42029	Finfilter, cellulosa	445704	Packning	942074-40	Bottenlock cyklon
4213	Packning, självhäftande	46006	Kabelsats, motoröverdel STD	942101-02	Modul mantel
42149	Spännband	46007	Kabelsats, motoröverdel AUTO		
42273	Packning	480501	Sladdställ L= 6 m (CH)		
42283	Utluftkanal	4850	Tätningslist		
42306	Hjulsats	485100	Lock		
42309-01	Motor, eco, 1285 W, 230 V				
42366	Spännlås				

English

Part No	Description	Part No	Description	Part No	Description
201201	Suction hose 38, swivel connector sleeve, antistatic	423095	Brush mechanism Eco-motor, 1285 W, 230 V	4850	1050 W, 115 V Gasket
2105	Suction hose 38, L=5m	423096	Brush mechanism Eco-motor, 1340 W, 120 V	485100	Solid cover
40048	Bend protector	42362-70	Fan housing 115 V	4852	Cover with hole
40070	Container, 40 l, metal	42366	Fastener	4854	Plate
40097	Switch, 110 V	423870	Fan housing 1285 W 230 V	4856	Sound absorbent for 485702
40104	Safety cover switch, 110 V	423871	Fan housing UK, 1285 W, 230 V	485706	Motor housing
40516	Spacer	42390	Gasket for motor 42309	4863	Gasket for motor 4870, 4871
40524	Guiding flange	42406	Brush mechanism 1400 W, 230 V	4865	Sound absorbent for 485100
40620	Retaining bolt	424390	Fan housing auto	487005	Brush mechanism 1200 W, 230 V
40646	Terminal connector	426700	Handle	487105	Brush mechanism, 1200 W, 115 V
410701	Cable Auto, EU	42702	Plastic bag	4871-1	Motor 1340 W, 120 V, 50/60 Hz, UL ECO
41340	Indication light with red lens	42792	Holder bag	4873	Caster
4089	Band holder	42803	Chassis DC 2900a	487802	Cable USA/Can, L=2 m
40097	Switch 115 V	42814	Hitch DC 2900	487808	Cable GB, 115 V
40104	Safety cover switch 115 V	42820	Chassis DC 2900c	487810	Cable, EU
41820	Motor cover USA, 1340 W, 115 V	4313	Strap	487811	Cable GB, 220 V
42027	HEPA filter	442309	Retrofit Kit eco Motor 230 V, 1285 W	489406	Circuit card 230 V
42028	Fine filter, polyester	445704	Gasket	940453-70	Inlet
42029	Fine filter, cellulose	46006	Cable set, motor top STD	94164-E	Original instructions DC 2900a/c/Auto
4213	Sealing moulding	46007	Cable set, motor top AUTO	942074-40	Bottom Lock cyclone
42149	Hose Attachment	480501	Cable L= 6 m (CH)	942101-02	Module mantle
42273	Gasket	483905	Brush mechanism,		
42283	Channel outlets				
42306	Wheelset				
42309-01	Motor, eco, 1285 W,				

Art Nr	Bezeichnung	Art Nr	Bezeichnung	Art Nr	Bezeichnung
201201	Saugschlauch, Schwenk- verbindungshülse antista- tisch	423095	Kohlebürsten ECO-Motor, 230 V, 1285 W	485100	Deckel
2105	Saugschlauch 38, L=5m	42366	Haken für Behälter	4852	Deckel Loch
40048	Knickschutz	423870	Motoroberteil 1285 W 230 V	4854	Platte
40070	Behälter, 40 l, Metall	42390	Dichtung für motor 42309	4856	Schallisolierung für 485702
40516	Distanz	42406	Kohle 1400 W, 230 V	485706	Motormantel
40524	Flansch	424390	Motoroberteil auto	4863	Dichtung für motor 4870
40620	Stiftschraube	426700	Handgriff	4865	Schallisolierung für 485100
40646	Schaltplint	42702	Plastiktüte	487005	Kohle 1200 W, 230 V
410701	Kabel Auto, EU	42792	Halter Tasche	4873	Lenkrolle
41340	Optisch Anzeige/Linse rot	42803	Chassis DC 2900a	487801	Kabel CH
4089	Spannbandhalterung	42814	Haken DC 2900	487810	Kabel EU
42027	Mikrofilter	42820	Chassis DC 2900c	489406	Kreiskarte 230 V
42028	Feinfilter, Polyester	4313	Spannband	940453-70	Modul, einlass, montiert
42029	Feinfilter, Zellulose	442309	Umbausatz Eco Motor 230 V, 1285 W	94164-E	Originalbetriebsanleitung DC 2900a/c/Auto
4213	Dichtung, selbstklebend	445704	Dichtung	942074-40	Bottom Lock Zyklon
42149	Schlauchhalter	46006	Kabelsatz , Motor oben STD	942101-02	Module Mantel
42283	Dichtung	46007	Kabelsatz , Motor oben AUTO		
42275	Kanalaustritte	480501	Kabel L= 6 m (CH)		
42306	Laufbandsatz	4850	Dichtung		
42309-01	Motor, eco, 1285 W, 230 V				

Français

Art N°	Description	Art N°	Description	Art N°	Description
201201	Tuyau flexible 38, manchon de connecteur pivotant, antistatique	423095	Mécanisme de brosse, moteur éco 230 V, 1285 W	480501	moteur AUTO
2105	Flexible d'aspiration 38, L=5m	42362-70	Tête, complète 115 V	4850	Cordon électrique L= 6 m (CH)
40048	Passe-câble	42366	Verrou de tension	485100	Garniture d'étanchéité
40070	Conteneur, 40 l, tôle	423870	Tête, complète 1285 W 230 V	4852	Couvercle
40516	Rondelle d'écartement	42390	Joint moteur 1400 W	4854	Couvercle intérieur
40524	Bride directrice	42406	Charbon moteur 1400 W, 230 V	4856	Support moteur
40620	Vis allongée	424390	Partie sup. de moteur Auto	485706	Mousse insonorisante moteur 485702
40646	Connecteur électrique	426700	Poignée	4863	Cage de moteur
4089	Porte-sangle	42702	Sac en plastique	4865	Joint
410701	Cordon électrique Auto, EU	42792	Sac titulaire	487005	Mousse insonorisante moteur 485100
41340	Indication lampe/lentille rouge	42803	Châssis DC 2900a	4873	Charbon moteur 1200 W, 230 V
42027	Microfiltre HEPA	42814	Merlu	487810	Roue avant
42028	Filtre fin, polyester	42820	Châssis DC 2900c	489406	Cordon électrique EU
42029	Filtre fin, cellulose	4313	Courroie de serrage	940453-70	Circuit card 230 V
4213	Joint	442309	Kit de mise à niveau Moteur éco 230 V, 1285W	94164-E	Module, l'apport, monté Notice originale DC 2900a/c/Auto
42149	Fixation de tuyau	445704	Jonction	942074-40	Bas cyclones
42273	Joint	46006	Jeu de câbles, haut moteur STD	942101-02	Verrouillage Module manteau
42283	Sorties de canal	46007	Jeu de câbles, haut		
42306	Kit de roues				
42309-01	Moteur, eco, 1285 W, 230 V				

Ref	Descripción	Ref	Descripción	Ref	Descripción
201201	Manguera de succión 38, manga conector giratorio, antiestático		Eco-motor, 1285 W, 230 V	480501	Cable L= 6 m (CH)
2105	Manguera de succión 38, L=5m	42362-70	Carcasa aspirador 115 V	4850	Junta
40048	Curva protección	42366	Abrazadera rápida	485100	Tapa ciega
40070	Contenedores, 40 l, de acero	423870	Carcasa aspirador 1285 W 230 V	4852	Tapa con agujero
40516	Espaciador	42390	Junta motor 1400 W	4854	Placa
40524	Brida guía	42406	Mecanismo de escobillas 1400 W, 230 V	4856	Absorbente de sonido para 485702
40620	Tuerca auto-frenable	424390	Interruptor with cable and condense	485706	Carcasa motor embalaje
40646	Conector terminal	426700	Asa	4863	Absorbente de sonido para 485100
4089	Colgador banda	42702	Bolsa de plástico	4865	Mecanismo de escobillas 1200 W, 230 V
410701	Cable Auto, EU	42792	Titular de la Bolsa de	4873	Rueda pequeña
41340	Indicar lámpara/lente rojo	42803	Chasis DC 2900a	487810	Cable EU
42027	Filtro HEPA	42814	Merluza	489406	Tarjeta electrónica 230 V
42028	Filtro fino, poliéster	42820	Chasis DC 2900c	940453-70	Módulo, el consumo, montaje
42029	Filtro fino, celulosa	4313	Cinta	94164-E	Manual original DC 2900a/c/Auto
4213	Junta moldeada	442309	Kit de actualización Eco-motor, 230 V EU	942074-40	Parte inferior del ciclón de bloqueo
42149	Acoplamiento manguera	445704	Junta	942101-02	Módulo del manto
42273	Junta	46006	Juego de cables, la parte superior del motor STD		
42283	Puntos de venta del canal		Juego de cables, la parte superior del motor AUTO		
42306	Juego de ruedas				
42309-01	Motor, eco, 1285 W, 230 V	46007			
423095	Mecanismo de ruptura,				

art.no	Nimike	art.no	Nimike	art.no	Nimike
201201	Imuletku 38, kääntyvä liitin holkki antistaattinen	423095	Harjamekanismi, eco-moottori 230 V, 1285 W	4850	Tiiviste
2105	Imuletku 38, L=5m	42366	Kiristyslukko	485100	Kansi
40048	Taivutussuoja	423870	Moottorikansi 1285 W 230 V	4852	Kansi reiällä
40070	Säiliö, 40 l, metalli	42390	Tiiviste moottori 42309	4854	Levy
40516	Välitappi	42406	Hiiliharja 1400 W, 230 V	4856	Äänieriste 485702
40524	Ohjauslaippa	424390	Moottorikansi auto	485706	Moottorikansi
40620	Pinnaruuvi	426700	Kahva	4863	Pakkaus
40646	KytKentäpala	42702	Muovipussi	4865	Äänieriste 485100
4089	Nauhapidike	42792	Haltija pussi	487005	Hiiliharjalas 1200 W, 230 V
410701	Kaapeli Auto, EU	42803	Alusta DC 2900a	4873	Pyörä,kääntyvä
41340	Varoitusvalo/ punainen linssi	42814	Kummeliturkska	487803	kaapeli,sv
42027	Mikrosuodatin	42820	Alusta DC 2900c	487810	kaapeli, EU
42028	Tiiviste, polyester	4313	Kiristysnauha	489406	Piirikortti 230 V
42029	Tiiviste	442309	Jälkiasennussarja eco moottori 230 V, 1285 W	940453-70	Moduuli, saanti, asennetaan
4213	Tiiviste,itsekiinnittyvä	445704	Tiiviste	94164-E	Alkuperäiset ohjeet, DC 2900a/c/Auto
42149	Letkun liitântä	46006	Kaapelisarjoja, moottori top STD	942074-40	Pohjalukitus sykloni
42273	Tiiviste	46007	Kaapelisarjoja, moottori top AUTO	942101-02	Moduuli vaipan
42283	Kanava myyntipisteistä				
42306	Pyöräsarja				
42309-01	Moottori, eco, 1285 W, 230 V	480501	Kaapeli L= 6 m (CH)		

Art. nr	Benevnelse	Art. nr	Benevnelse	Art. nr	Benevnelse
201201	Sugeslange 38, swivel-kontakt ermet antista tiske	42309-01	Motor, eco, 1285 W, 230 V	46007	Kabelsett, motor toppen AUTO
2105	Sugeslange 38, muff, L=5m	423095	Børstemekanisme Eco-motor, 1285 W, 230 V	480501	Kabling L= 6 m (CH)
40048	Bendbeskyttelse	42366	Spennlås	4850	Tetningslist
40070	Beholdere, 40 l, plate	423870	Motoroverdel 1285 W 230 V	485100	Lokk
40516	Distanse	42390	Pakning for motor 42309	4852	Lokk med hull
40524	Styreflens	42406	Børstemekanisme 1400 W, 230 V	4854	Plate
40620	Pinneskrue	424390	Motoroverdel auto	4856	Lydabsorbent for 485702
40646	Koblingssplint	426700	Håndtak	485706	Motormantel
4089	Spennbåndsholder	42702	Plastpose	4863	Pakning
410701	EI kabel Auto, EU	42792	Holder veske	4865	Lydabsorbent for 485100
41340	Indikeringslampe/linse rød	42803	Chassi DC 2900a	487005	Børstemekanisme 1200 W, 230 V
42027	Mikrofilter	42814	Hake	4873	Lenkhjul
42028	Finfilter, polyester	42820	Chassi DC 2900c	487810	Kabling, EU
42029	Finfilter, cellulose	4313	Spennbånd	489406	Kretskort 230 V
4213	Pakning, selvheftende	442309	Gjenoppbygging Kitt Eco-motor, 230 V EU	940453-70	Module, inntak, monter
42149	Slangefeste	445704	Pakning	94164-E	Original bruksanvisning, DC 2900a/c/Auto
42273	Pakning	46006	Kabelsett, motor toppen STD	942074-40	Bunnlås sykklon
42283	Utluftkanal			942101-02	Modul mantelen
42306	Hjulsats				

Nr kat.	Opis	Nr kat.	Opis	Nr kat.	Opis
201201	Wąż ssący 38, Złącze obrotowe tuleja, antysta-tyczny	423095	Mechanizm szczotkowy Eco-motor, 1285 W, 230 V	46007	Zestaw kabli, silnik góry AUTO
2105	Wąż ssący 38, L=5m	42366	Łącznik	480501	Przewód L= 6 m (CH)
40048	Zabezpieczenie przed zgięciem	423870	Obudowa wentylatora 1285 W, 230 V	4850	Uszczelka
40070	Pojemnik, 40 l, metalowy	42390	Uszczelka do silnika 42309	485100	Pokrywa pełna
40516	Element dystansowy	42406	Mechanizm szczotkowy1400 W, 230 V	4852	Pokrywa z otworem
40524	Kołnierz prowadzący	424390	Obudowa wentylatora Auto	4854	Płytk
40620	Śruba mocująca	426700	Uchwyt	4856	Tłumik do 485702
40646	Złącze	42702	Worek z tworzywa sztucznego	485706	Obudowa silnika
410701	Przewód Auto, EU	42792	Worek	4863	Uszczelka do silnika
41340	Czerwona kontrolka	42803	Podstawa DC 2900a	4865	Tłumik do 485100
4089	Uchwyt taśmowy	42814	Łącznik	487005	Mechanizm szczotkowy 1200 W, 230 V
40097	Przełącznik 115 V	42820	Podstawa DC 2900c	4871	Silnik 1200 W, 115 V
40104	Przełącznik 115 V z pokrywą bezpieczeństwa	4313	Pasek	4873	Kółko samonastawne
42027	Filtr HEPA	442309	Przebudowa Kitt Eco-motor, 230 V EU	487802	Przewód USA/Kanada
42028	Poliestrowy filtr dokładny	445704	Uszczelka	487808	Przewód GB2, 115 V
42029	Celulozowy filtr dokładny	46006	Zestaw kabli, silnik góry STD	487810	Przewód UE
4213	Kształtka uszczelniająca			487811	Przewód GB1, 230 V
42149	Wąż podłączeniowy			489406	Płytk obwodów 230 V
42273	Uszczelka			940453-70	Wlot
42283	Wyloty kanału			94164-E	Oryginalna instrukcja DC 2900a/c/Auto
42306	Zestaw kołowy			942074-40	Odpylacz z blokadą dolną
42309-01	Silnik, eco, 1285 W, 230 V			942101-02	Oslona modułowa

EC Declaration of Conformity

We hereby assure that DC 2900 complies with the following regulations and standards:

2006/42/EC, 2014/30/EU, 2014/35/EU, EN 60204-1:2018, EN1822-1:2019.

Dustcontrol AB



Nina Uggowitzer / CEO
2021-09-15



Peter Söderling / Technical Manager
2021-09-15

WEEE (Waste of Electric and Electronic Equipment)

Valid for EU countries only: Electrical tools must not be disposed of with household waste. Under Directive 2002/96/EC relating to older electrical and electronic equipment and its implementation in national legislation, waste electrical tools must be disposed of separately and/or recycled in an environmentally responsible manner.

Sicherheitsvorschriften

Lesen Sie die nachfolgenden Sicherheitsvorschriften durch, bevor Sie die Maschine starten. Heben Sie die Betriebsanleitung auf. Bei Nichtbefolgung der Sicherheitsvorschriften verliert die Garantie ihre Gültigkeit, und Personen- bzw. Maschinenschäden können die Folge sein. Dustcontrol haftet nicht für Schäden am Gerät infolge unsachgemäßer Installation oder unsachgemäßer Bedienung des Geräts.

Warnung

Diese Maschine ist für den professionellen Einsatz vorgesehen.

Verwenden Sie ausschließlich Zubehör und Ersatzteile aus dem Dustcontrol-Sortiment.



WARNUNG

Verwenden Sie die Maschine für den vorgesehenen Zweck. Befolgen Sie die Vorschriften für das abzusaugende Material.



WARNUNG

Diese Maschine ist ausschließlich für das Absaugen von trockenem Material vorgesehen.



WARNUNG

Bei der Verwendung elektrischer Geräte sind die grundsätzlichen Sicherheitsvorkehrungen zu befolgen, damit die Gefahr von Brand, Elektroschocks oder Verletzungen minimiert wird.



WARNUNG

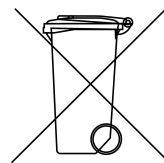
Bei der Verwendung von fehlerhaften Artikeln oder Nicht-Originalteilen (vor allem Filter, Schläuche und Plastiksäcke) kann gesundheitsschädlicher Staub aus der Maschine austreten, der Verletzungen verursachen kann.

Umweltschutz

Verpackungsmaterialien sind recycelbar. Verpackungen nicht über den Hausmüll entsorgen, sondern dem Recycling zuführen.

Ausrangierte Einheiten enthalten recycelbares Material, das recycelt werden sollte. Batterien, Öl und ähnliche Substanzen dürfen nicht an die Umwelt abgegeben werden. Übergeben Sie verschrottete Einheiten einem geeigneten Recyclingsystem.

Ausrangierte Filter enthalten recycelbares Material, das recycelt werden sollte. Übertragen Sie gebrauchte Filter in ein geeignetes Recyclingsystem.



Für weitere Informationen wenden Sie sich bitte an den nächstgelegenen Wertstoffhof.

Arbeitsbedingungen

Die Maschine darf keinerlei Feuchtigkeit ausgesetzt werden. Sie darf nicht in feuchten und nassen Bereichen oder in der Nähe von leicht entzündlichen Flüssigkeiten oder Gasen benutzt werden.



ACHTUNG

Diese Maschine darf nur in trockener Umgebung eingesetzt und aufbewahrt werden.



ACHTUNG

Die Maschine darf nicht mit Wasser abgespült werden.

Überlastung

Die Maschine darf niemals voll gedrosselt laufen, weil dann Überhitzungsgefahr besteht.

Körperverletzungen



ACHTUNG

Versuchen Sie niemals, elektrische Verbindungen eigenmächtig zu ändern. Ein Fehler kann Lebensgefahr bedeuten!

Ansaugöffnungen dürfen niemals mit einem Körperteil in Berührung kommen. Der starke Unterdruck kann die Blutgefäße der Haut verletzen.



WARNUNG

Bei der Montage, Bedienung und dem Transport der Maschine sind Schutzhandschuhe zu tragen, um Verletzungen durch scharfe Kanten vorzubeugen.

Kabel

Ziehen Sie die Maschine niemals am Stromkabel. Setzen Sie das Kabel weder Hitze noch scharfen Gegenständen aus. Überprüfen Sie das Kabel regelmäßig.

Beim Spleißen des Netzkabels muss das Spleißkabel wasserdicht sein.

Die Maschine darf nicht zum Einsatz kommen, wenn die Kabel oder Kontakte beschädigt sind.

Ist das Kabel beschädigt, muss es von Dustcontrol oder einer von Dustcontrol autorisierten Servicewerkstatt ausgetauscht werden.

Wichtige Maßnahmen

Die Maschine darf nur zum Einsatz kommen, wenn sämtliche Filter unbeschädigt und ordnungsgemäß eingesetzt sind.

Sorgfalt

Halten Sie die Maschine sauber und frei von Staubablagerungen. Achten Sie darauf, dass der Saugschlauch intakt ist, dass alle Dichtungen unbeschädigt und einwandfrei in Ordnung sind. Die Tragegriffe müssen stets trocken und frei von Öl und Fett sein.

Kontrolle

Es ist regelmäßig sicherzustellen, dass die Einheit weder beschädigt ist noch Verschleiß aufweist. Eventuelle Schäden sind von einer von Dustcontrol autorisierten Servicewerkstatt zu beheben.

Funktionsbeschreibung

Der Staubabscheider arbeitet mit Unterdruck (Ansaugen), d.h. die Luft wird durch die Saugkappe/Düse, das Schlauchsystem und Vor- und Staubabscheider geleitet. Die Grobabscheidung erfolgt im Zyklon des Gerätes und stellt damit eine besonders effiziente Abscheidung von groberen Stäuben dar. Der Feinstaub wird im Filter des Gerätes abgeschieden. Die Filterreinigung mit Luftpulsen sorgt für eine besonders lange Nutzlebensdauer der Filter. Die Maschine ist mit Mikrofiltern ausgestattet.

Der Staubabscheider hat folgende Austragsmöglichkeiten:

c- Plastiksack: Das abgesaugte, abgeschiedene Material wird in 20-Liter-Plastiksäcken gesammelt, die mit einem einfachen Handgriff abgenommen werden können. Das Material kann daher leicht recycelt oder entsorgt werden.

a- Behälter: Ein zylindrischer Behälter für die Aufnahme von abgeschiedenem Material. Mit innenliegenden Plastiksack.

L- Longopac: Die Maschine ist mit einem flexiblen Sacksystem ausgestattet, bei dem der Staub in einem geschlossenen System bleibt.

Technische Daten

	DC 2900a	DC 2900c	DC 2900L
HxBxL [mm]	1145x445x630	1110x445x570	1110x445x570
Gewicht [kg]	22	16	19
Einlass [mm]	Ø 50	Ø 50	Ø 50
Schlauchlänge Ø38 [m]	5	5	5
Sammelbehälter [l]	40	20	longopac
Durchsatz max. [m ³ /h]	205	205	205
Unterdruck max. [kPa]	24	24	24
Leistungsaufnahme [W]	1285 (230)	1285 (230)	1285 (230)
Auto: Leistung, angeschlossenes Werkzeug*/min 200W	max		
	230 V/10 A: 1200 W		
	230 V/16 A: 2200 W		
Feinfilter, Polyester, Fläche [m ²]	1,5	1,5	1,5
Abscheidegrad, Feinfilter	99,9	99,9	99,9
Filterfläche, Mikrofilter [m ²]	0,85	0,85	0,85
Abscheidegrad Maschine, EN 60335-2-69, Anlage A-A, Klasse H [%]	99,995	99,995	99,995
Filterklassifizierung, EN 1822-1 Mikrofilter	HEPA H13	HEPA H13	HEPA H13
Schallpegel [dB(A)]	< 68	< 68	< 68

Betrieb

Anschluss

Die Maschine wird an eine Steckdose mit Spannung nach den Angaben auf dem Maschinentypenschild angeschlossen. Die Drehrichtung des Motors überprüfen. An Maschinen mit Phasenwender lässt sich die Drehrichtung einfach ändern.

Autostart

Das Elektrowerkzeug wird an den Anschluss an der Maschine angeschlossen. Stellen Sie den Schalter auf AUTO. Die Maschine startet dann automatisch, wenn das Werkzeug eingeschaltet wird. Die Maschine schaltet sich einige Sekunden, nachdem das angeschlossene Werkzeug abgeschaltet wurde, automatisch ab. Zum manuellen Start des Saugvorganges wird der Schalter auf MAN gestellt.

Filterreinigung

Die Maschine ist mit einer Filteranzeigelampe ausgerüstet, die bei Reinigungs- oder Wechselbedarf des Filters leuchtet.

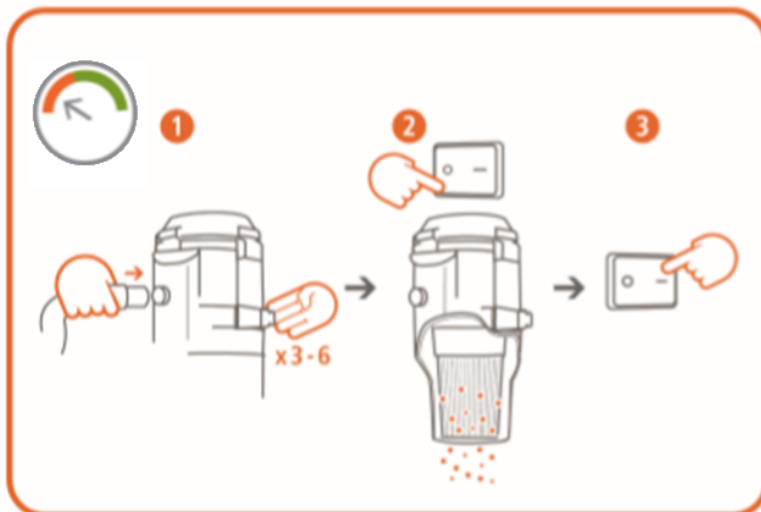
Die Filter müssen bei Dauereinsatz 1-2 Mal pro Tag abgereinigt werden/und wenn sich die Manometernadel bei geöffneter Saugöffnung im roten Feld befindet.



Reinigen des Filters:

Bei der Filterreinigung muss die Maschine in Betrieb und der Schlauch vom Ansaugrohr abgetrennt sein.

1. Drücken Sie die Anschlussmuffe auf den schwarzen Stopfen am Luftauslasskanal oder gegen den Boden, damit im Zyklon der maximale Unterdruck erzeugt wird.
Öffnen Sie die seitliche Klappe 3-6 Mal. Die Luft strömt in die Maschine in umgekehrte Saugrichtung und reinigt den Filter mit dem Pulseffekt.
2. Schalten Sie die Maschine ab und lassen Sie das Material herunterfallen. Schließen Sie das Saugrohr wieder an.
3. Starten Sie die Maschine.
4. Wenn die Manometernadel wieder im grünen Bereich ist, können die Arbeiten fortgesetzt werden. Bleibt sie im roten Bereich, dann muss der Reinigungsvorgang wiederholt werden. Bestimmte Maßnahmen (z.B. solche zur Begrenzung des Luftstroms) können dazu führen, dass das Manometer einen höheren Wert anzeigt (Nadel im roten Bereich). Die Maschine darf grundsätzlich nicht im Dauerbetrieb laufen, wenn die Manometernadel im roten Bereich ist, weil dann Überhitzungsgefahr besteht. Der Übergang vom grünen zum roten Bereich erfolgt bei 18 kPa.



Leeren

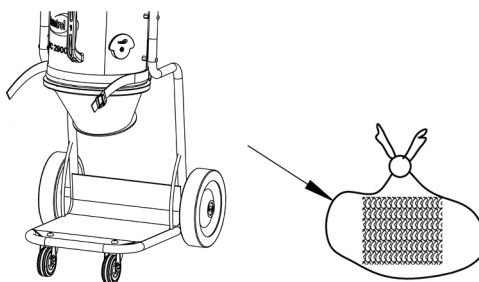
a - Behälter

Der Behälter unter dem Zyklon sollte geleert werden, wenn er zu ca. 2/3 voll ist.

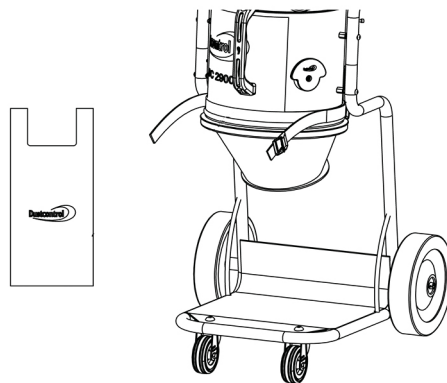
c- Plastiksack

Der Plastiksack darf nur nach Reinigung der Filter ausgetauscht werden. Er sollte ausgetauscht werden, wenn der Staubpegel etwa 5 cm unter der Auswurfklappe liegt.

Staubloser Sackwechsel



Die Maschine muss während des gesamten Sackwechsels eingeschaltet sein. Den Sack entfernen. Der Sack ist nach der Entnahme aus der Maschine zu verschließen.



Den neuen Sack anbringen. Zur Sicherstellung der staubfreien Arbeit ist das Spannband zu verwenden. Mit den lässt sich der Sack einfach aufhängen.

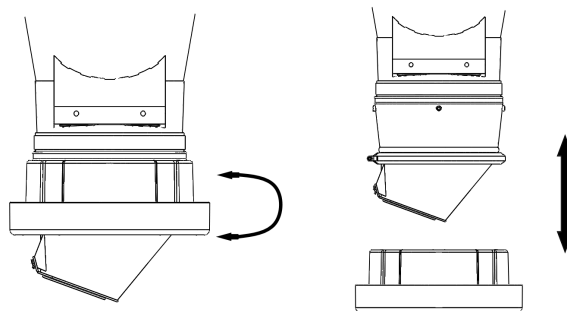
Den Filter reinigen und den Staubabscheider verwenden.

L - Longopac

Wenn der Sack bis auf das geeignete Niveau gefüllt ist, wird er mit den beiliegenden Kabelbindern verschlossen. Ein weiterer Kabelbinder wird ein wenig höher angebracht. Dort liegt dann den Boden des nächsten Sacks. Der gefüllte Sack wird dann losgeschnitten und die Maschine ist wieder einsatzbereit.

Austausch des Sackmagazins

1. Den Halter in die Stelle drehen, in der er nach unten gezogen werden kann.
2. Ein Sackmagazins in den Halter einlegen und den Halter wieder anbringen.
3. Die 4 Riemen, die das Sackmagazins zusammenhalten, aufschneiden und das innere Ende des Sacks nach oben über die Gummileiste ziehen. Danach den Sack mit dem Spannungsgurt befestigen. Das äußere Ende wird über den Halter nach unten gezogen und ein Kabelbinder als unterer Verschluss angebracht.



Service/Wartung

Reinigung

Bei Reinigung und Pflege muss die Maschine ausgeschaltet und der Stecker gezogen sein.

Filterwechsel

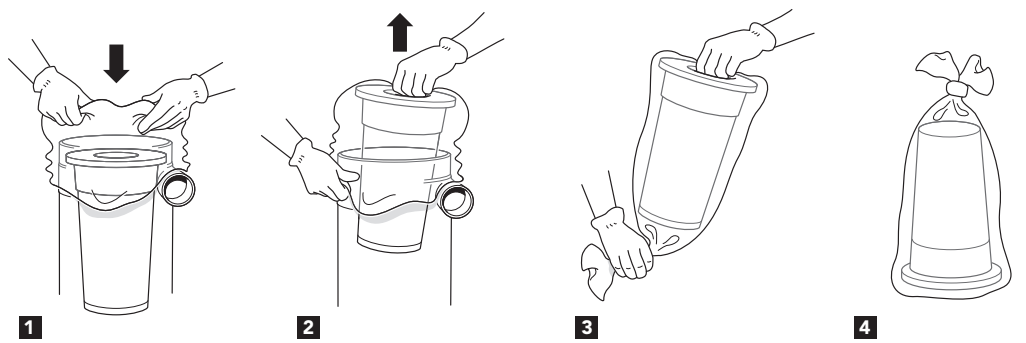
Der Feinfilter sollte mindestens einmal im Jahr gewechselt werden. Es dürfen nur Originalfilter verwendet werden. Mikrofilter müssen nach 300 Stunden ausgetauscht werden.



WARNUNG

Der Filterwechsel darf nur von geschultem Personal vorgenommen werden. Schutzmaske und geeignete Ausrüstung sind zu tragen.

Lösen Sie den oberen Teil und heben Sie ihn ab, um freien Zugang zum Filter zu bekommen. Heben Sie den Filter gerade nach oben. Ziehen Sie bei Bedarf einen Plastiksack über den Zyklon, damit der Staub vom Filter in den Plastiksack fällt. Beim Filterwechsel ist auch die Dichtung zu überprüfen. Eine bestätigte Dichtung kann zum Austritt von gesundheitsschädlichem Staub führen. Verwenden Sie niemals alte Dichtungen oder Nicht-Originalteile. Gewechselte Filter werden in einen Plastiksack gelegt, der anschließend geschlossen wird. Siehe Anweisungen unten.



Motor

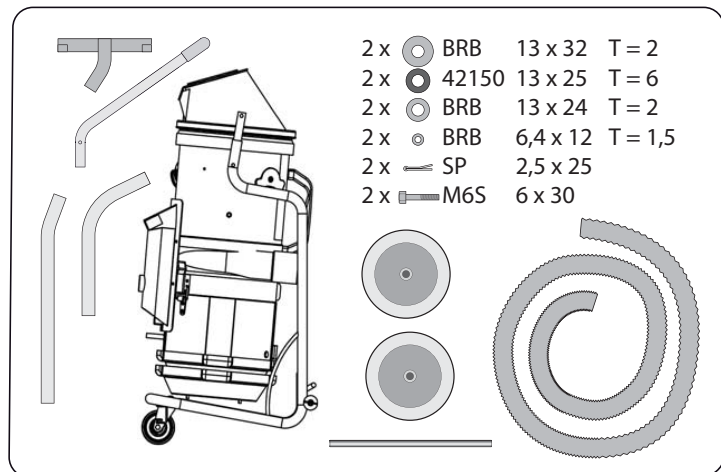
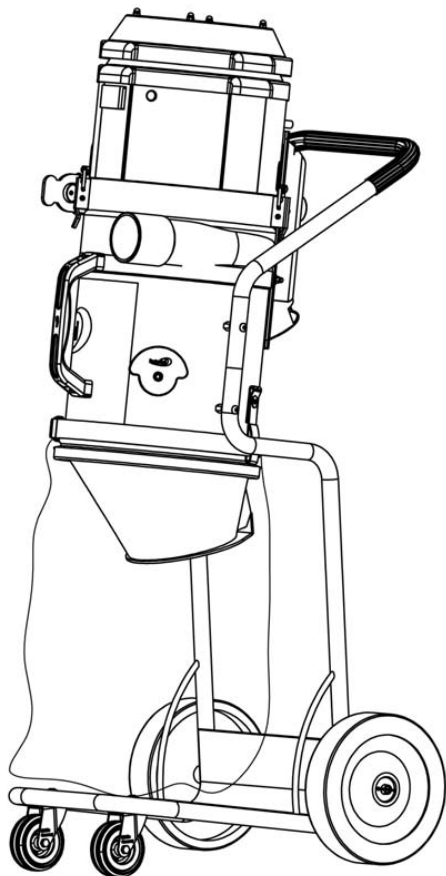
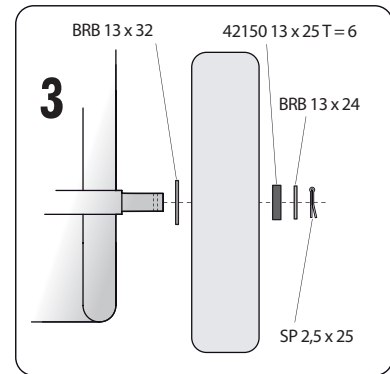
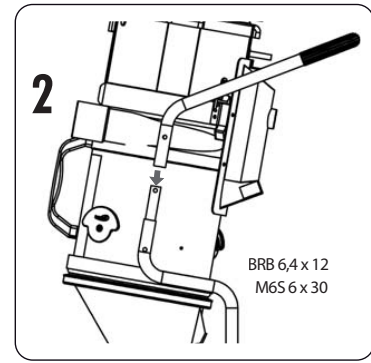
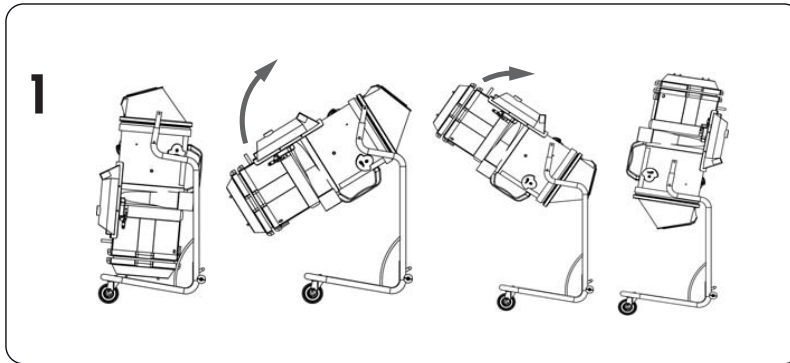
Für Kollektormotoren beträgt die typische Nutzlebensdauer der Originalbürsten 600-700 Stunden. Die Bürsten sind austauschbar. Für das zweite Bürstenpaket beträgt die Nutzlebensdauer ca. 400 Stunden, und für das dritte Bürstenpaket ca. 300 Stunden. Danach ist der Kollektor verschlissen, und der Motor muss ausgetauscht werden.

Regelmäßige Überprüfung

Überprüfen Sie regelmäßig, ob das Stromkabel intakt ist.

Die Maschine muss funktionsgeprüft sein und mindestens einmal jährlich kontrolliert werden, da es sich um eine Maschine für gesundheitsschädliches Material handelt. Abgenutzte Teile müssen ausgetauscht werden. Funktion und Langlebigkeit dürfen niemals aufs Spiel gesetzt werden. Verwenden Sie nur Originalteile.

DC 2900



DEUTSCH

Verbrauchsmaterialien

Bezeichnung	Art.-Nr.
Plastiksack, Standard	42291
Plastiksack Longopac 12m	44763
Plastiksack Longopac 23m	432177
Feinfilter, Zellulose mit integriertem Filterschutz	42029
Feinfilter, Polyester mit integriertem Filterschutz	42028
Mikrofilter	42027

Ersatzteile finden Sie auf [Dustcontrols Website](#).

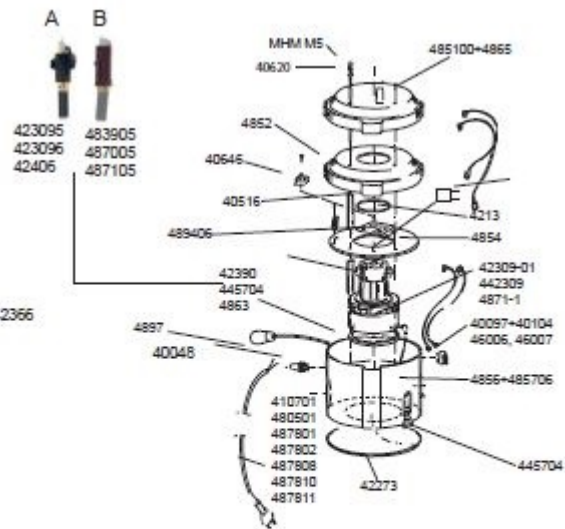
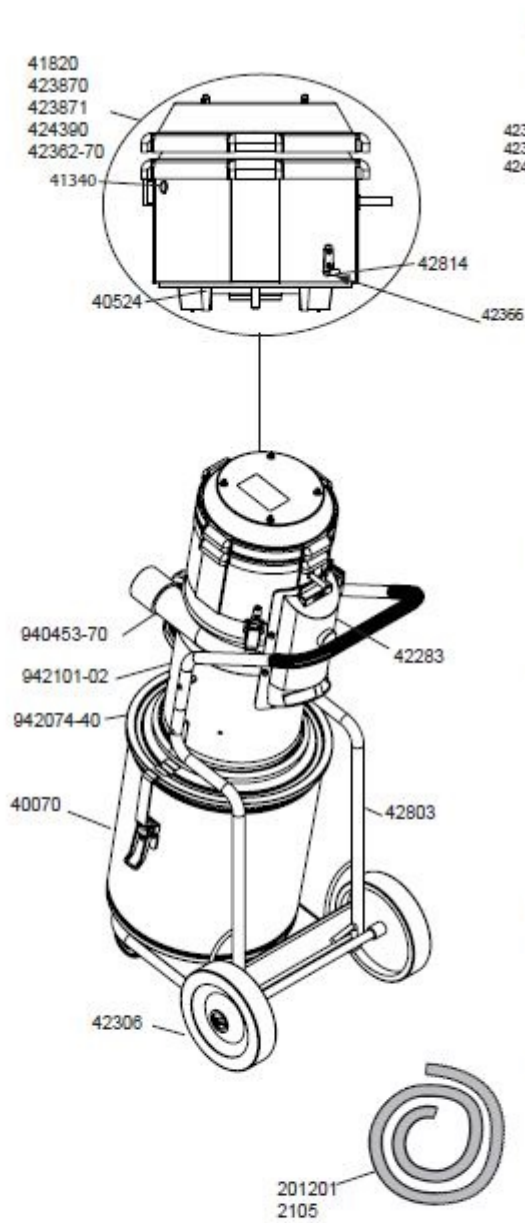
Gewährleistung

Die Gewährleistungsfrist beträgt zwei Jahre und bezieht sich auf Herstellungsmängel. Die Gewährleistung gilt, wenn die Maschine vorschriftsmäßig eingesetzt und gewartet wird. Normaler Verschleiß wird nicht ersetzt. Reparaturen sind von Dustcontrol oder einer von Dustcontrol autorisierten Person durchzuführen. Andernfalls verfällt die Gewährleistung.

Fehlersuche und -behebung

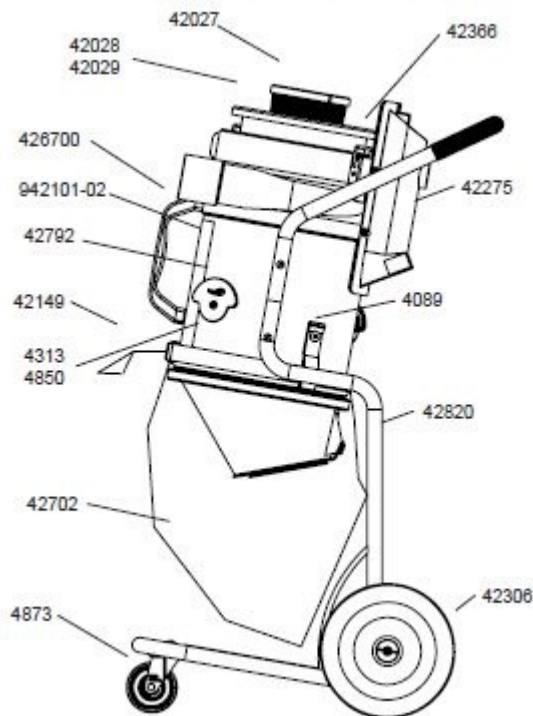
Problem	Ursache	Maßnahme
Der Motor läuft nicht.	Nicht ans Stromnetz angeschlossen.	Ans Netz anschließen.
Der Motor stoppt unmittelbar nach dem Start.	Defekte Sicherung.	Gegen eine funktionstüchtige Sicherung austauschen.
Der Motor läuft, aber die Maschine saugt nicht.	Der Saugschlauch ist nicht angeschlossen.	Den Schlauch anschließen.
Der Motor läuft, aber die Maschine saugt schlecht.	Löcher im Saugschlauch.	Schlauch austauschen.
	Verstopfter Filter.	Reinigen oder austauschen.
	Saugschlauch zu lang oder zu dünn.	Schlauch austauschen.
	Schlauch teilweise verstopft.	Den Schlauch umgekehrt einsetzen und freisangen oder reinigen.
	Oberteil der Maschine ist mangelhaft montiert.	Einbau ändern.
	Staub hat sich im Zyklon festgesetzt.	Oberteil abnehmen und Zyklon reinigen.
Der Motor hält während des Betriebs an	Der Motor ist überhitzt	Stellen Sie sicher, dass die Maschine nicht gedrosselt ist und warten Sie, bis sie abgekühlt ist (ca. 30 min)
		Ein Elektriker sollte die Phase wechseln.
Staub entweicht aus der Maschine.	Der Filter sitzt lose oder ist defekt.	Überprüfen und ggf. austauschen.
Unnormale Geräusche von der Maschine.		Kundendienst anfordern.

Reservedele/Spare parts/Ersatzteile/Pièces de rechange/Recambios/Varaosat/ Reserveonderdelen/Reservedeler/Reservdelar



Motor A: Med galler over kylflakt/Grid over cooling fan/Mit Gittergehäuse über Lüfterrad/Grille sur ventilateur/Rejilla enfriamiento sobre aspirador/jäähdytyspuhaltimen ritilalla/Med gitter over kjølevifte/Siatka na wentylatorze chłodzącym/ Med gitter over køleventilatoren

Motor B: Utan galler over kylflakt/No grid over cooling fan/ Gehäuse ohne Gitter über Lüfterrad/Aucune grille sur ventilateur/No rejilla enfriamiento sobre aspirador/ ilman jäähdytyspuhaltimen ritilää/Brak siatki na wentylatorze chłodzącym/ Uden gitter over køleventilatoren



Svenska

Art nr	Benämning	Art nr	Benämning	Art nr	Benämning
201201	Sugslang 38, vridbar anslutningshylsa, antistatisk	423870	Motoröverdel 1285 W 230 V	4852	Lock med hål
2105	Sugslang 38, muff, L=5m	42390	Packning till motor 42309	4854	Platta
40048	Böj-skydd	423095	Borstmekanism Eco-motor, 1285 W, 230 V	4856	Ljudabsorbent för 485702
40070	Behållare, 40 l, plåt	42406	Borstmekanism 1400 W, 230 V	485706	Motormantel
40516	Distans	424390	Motoröverdel auto	4863	Packning
40524	Styrfläns	426700	Handtag	4865	Ljudabsorbent för 485100
40620	Pinnskruv	42702	Plastsäck	487005	Borstmekanism 1200 W, 230 V
40646	Kopplingsplint	42792	Hållare säck	4873	Länkhjul
4089	Spännbandshållare	42803	Chassi DC 2900a	487810	Sladdställ, EU
410701	Sladdställ Auto, EU	42814	Hake	489406	Kretskort 230 V
41340	Indikeringslampa med röd lins	42820	Chassi DC 2900c	4897	Sladdställ Auto med hona
42027	Mikrofilter	4313	Spännband	940453-70	Modul, inlopp, monterad
42028	Finfilter, polyester	442309	Ombyggnadskitt Eco-motor, 230 V EU	94164-E	Bruksanvisning i original, DC 2900a/c/Auto
42029	Finfilter, cellulosa	445704	Packning	942074-40	Bottenlock cyklon
4213	Packning, självhäftande	46006	Kabelsats, motoröverdel STD	942101-02	Modul mantel
42149	Spännband	46007	Kabelsats, motoröverdel AUTO		
42273	Packning	480501	Sladdställ L= 6 m (CH)		
42283	Utluftkanal	4850	Tätningslist		
42306	Hjulsats	485100	Lock		
42309-01	Motor, eco, 1285 W, 230 V				
42366	Spännlås				

English

Part No	Description	Part No	Description	Part No	Description
201201	Suction hose 38, swivel connector sleeve, antistatic	423095	Brush mechanism Eco-motor, 1285 W, 230 V	4850	1050 W, 115 V Gasket
2105	Suction hose 38, L=5m	423096	Brush mechanism Eco-motor, 1340 W, 120 V	485100	Solid cover
40048	Bend protector	42362-70	Fan housing 115 V	4852	Cover with hole
40070	Container, 40 l, metal	42366	Fastener	4854	Plate
40097	Switch, 110 V	423870	Fan housing 1285 W 230 V	4856	Sound absorbent for 485702
40104	Safety cover switch, 110 V	423871	Fan housing UK, 1285 W, 230 V	485706	Motor housing
40516	Spacer	42390	Gasket for motor 42309	4863	Gasket for motor 4870, 4871
40524	Guiding flange	42406	Brush mechanism 1400 W, 230 V	4865	Sound absorbent for 485100
40620	Retaining bolt	424390	Fan housing auto	487005	Brush mechanism 1200 W, 230 V
40646	Terminal connector	426700	Handle	487105	Brush mechanism, 1200 W, 115 V
410701	Cable Auto, EU	42702	Plastic bag	4871-1	Motor 1340 W, 120 V, 50/60 Hz, UL ECO
41340	Indication light with red lens	42792	Holder bag	4873	Caster
4089	Band holder	42803	Chassis DC 2900a	487802	Cable USA/Can, L=2 m
40097	Switch 115 V	42814	Hitch DC 2900	487808	Cable GB, 115 V
40104	Safety cover switch 115 V	42820	Chassis DC 2900c	487810	Cable, EU
41820	Motor cover USA, 1340 W, 115 V	4313	Strap	487811	Cable GB, 220 V
42027	HEPA filter	442309	Retrofit Kit eco Motor 230 V, 1285 W	489406	Circuit card 230 V
42028	Fine filter, polyester	445704	Gasket	940453-70	Inlet
42029	Fine filter, cellulose	46006	Cable set, motor top STD	94164-E	Original instructions DC 2900a/c/Auto
4213	Sealing moulding	46007	Cable set, motor top AUTO	942074-40	Bottom Lock cyclone
42149	Hose Attachment	480501	Cable L= 6 m (CH)	942101-02	Module mantle
42273	Gasket	483905	Brush mechanism,		
42283	Channel outlets				
42306	Wheelset				
42309-01	Motor, eco, 1285 W,				

Art Nr	Bezeichnung	Art Nr	Bezeichnung	Art Nr	Bezeichnung
201201	Saugschlauch, Schwenk- verbindungshülse antista- tisch	423095	Kohlebürsten ECO-Motor, 230 V, 1285 W	485100	Deckel
2105	Saugschlauch 38, L=5m	42366	Haken für Behälter	4852	Deckel Loch
40048	Knickschutz	423870	Motoroberteil 1285 W 230 V	4854	Platte
40070	Behälter, 40 l, Metall	42390	Dichtung für motor 42309	4856	Schallisolierung für 485702
40516	Distanz	42406	Kohle 1400 W, 230 V	485706	Motormantel
40524	Flansch	424390	Motoroberteil auto	4863	Dichtung für motor 4870
40620	Stiftschraube	426700	Handgriff	4865	Schallisolierung für 485100
40646	Schaltplint	42702	Plastiktüte	487005	Kohle 1200 W, 230 V
410701	Kabel Auto, EU	42792	Halter Tasche	4873	Lenkrolle
41340	Optisch Anzeige/Linse rot	42803	Chassis DC 2900a	487801	Kabel CH
4089	Spannbandhalterung	42814	Haken DC 2900	487810	Kabel EU
42027	Mikrofilter	42820	Chassis DC 2900c	489406	Kreiskarte 230 V
42028	Feinfilter, Polyester	4313	Spannband	940453-70	Modul, einlass, montiert
42029	Feinfilter, Zellulose	442309	Umbausatz Eco Motor 230 V, 1285 W	94164-E	Originalbetriebsanleitung DC 2900a/c/Auto
4213	Dichtung, selbstklebend	445704	Dichtung	942074-40	Bottom Lock Zyklon
42149	Schlauchhalter	46006	Kabelsatz , Motor oben STD	942101-02	Module Mantel
42283	Dichtung	46007	Kabelsatz , Motor oben AUTO		
42275	Kanalaustritte	480501	Kabel L= 6 m (CH)		
42306	Laufbandsatz	4850	Dichtung		
42309-01	Motor, eco, 1285 W, 230 V				

Art N°	Description	Art N°	Description	Art N°	Description
201201	Tuyau flexible 38, manchon de connecteur pivotant, antistatique	423095	Mécanisme de brosse, moteur éco 230 V, 1285 W	480501	moteur AUTO
2105	Flexible d'aspiration 38, L=5m	42362-70	Tête, complète 115 V	4850	Cordon électrique L= 6 m (CH)
40048	Passe-câble	42366	Verrou de tension	485100	Garniture d'étanchéité
40070	Conteneur, 40 l, tôle	423870	Tête, complète 1285 W 230 V	4852	Couvercle
40516	Rondelle d'écartement	42390	Joint moteur 1400 W	4854	Couvercle intérieur
40524	Bride directrice	42406	Charbon moteur 1400 W, 230 V	4856	Support moteur
40620	Vis allongée	424390	Partie sup. de moteur Auto	485706	Mousse insonorisante moteur 485702
40646	Connecteur électrique	426700	Poignée	4863	Cage de moteur
4089	Porte-sangle	42702	Sac en plastique	4865	Joint
410701	Cordon électrique Auto, EU	42792	Sac titulaire	487005	Mousse insonorisante moteur 485100
41340	Indication lampe/lentille rouge	42803	Châssis DC 2900a	4873	Charbon moteur 1200 W, 230 V
42027	Microfiltre HEPA	42814	Merlu	487810	Roue avant
42028	Filtre fin, polyester	42820	Châssis DC 2900c	489406	Cordon électrique EU
42029	Filtre fin, cellulose	4313	Courroie de serrage	940453-70	Circuit card 230 V
4213	Joint	442309	Kit de mise à niveau Moteur éco 230 V, 1285W	94164-E	Module, l'apport, monté Notice originale DC 2900a/c/Auto
42149	Fixation de tuyau	445704	Jonction	942074-40	Bas cyclones
42273	Joint	46006	Jeu de câbles, haut moteur STD	942101-02	Verrouillage Module manteau
42283	Sorties de canal	46007	Jeu de câbles, haut		
42306	Kit de roues				
42309-01	Moteur, eco, 1285 W, 230 V				

Ref	Descripción	Ref	Descripción	Ref	Descripción
201201	Manguera de succión 38, manga conector giratorio, antiestático		Eco-motor, 1285 W, 230 V	480501	Cable L= 6 m (CH)
2105	Manguera de succión 38, L=5m	42362-70	Carcasa aspirador 115 V	4850	Junta
40048	Curva protección	42366	Abrazadera rápida	485100	Tapa ciega
40070	Contenedores, 40 l, de acero	423870	Carcasa aspirador 1285 W 230 V	4852	Tapa con agujero
40516	Espaciador	42390	Junta motor 1400 W	4854	Placa
40524	Brida guía	42406	Mecanismo de escobillas 1400 W, 230 V	4856	Absorbente de sonido para 485702
40620	Tuerca auto-frenable	424390	Interruptor with cable and condense	485706	Carcasa motor embalaje
40646	Conector terminal	426700	Asa	4863	Absorbente de sonido para 485100
4089	Colgador banda	42702	Bolsa de plástico	4865	Mecanismo de escobillas 1200 W, 230 V
410701	Cable Auto, EU	42792	Titular de la Bolsa de	4873	Rueda pequeña
41340	Indicar lámpara/lente rojo	42803	Chasis DC 2900a	487810	Cable EU
42027	Filtro HEPA	42814	Merluza	489406	Tarjeta electrónica 230 V
42028	Filtro fino, poliéster	42820	Chasis DC 2900c	940453-70	Módulo, el consumo, montaje
42029	Filtro fino, celulosa	4313	Cinta	94164-E	Manual original DC 2900a/c/Auto
4213	Junta moldeada	442309	Kit de actualización Eco-motor, 230 V EU	942074-40	Parte inferior del ciclón de bloqueo
42149	Acoplamiento manguera	445704	Junta	942101-02	Módulo del manto
42273	Junta	46006	Juego de cables, la parte superior del motor STD		
42283	Puntos de venta del canal				
42306	Juego de ruedas	46007	Juego de cables, la parte superior del motor AUTO		
42309-01	Motor, eco, 1285 W, 230 V				
423095	Mecanismo de ruptura,				

art.no	Nimike	art.no	Nimike	art.no	Nimike
201201	Imuletku 38, kääntyvä liitin holkki antistaattinen	423095	Harjamekanismi, eco-moottori 230 V, 1285 W	4850	Tiiviste
2105	Imuletku 38, L=5m	42366	Kiristyslukko	485100	Kansi
40048	Taivutussuoja	423870	Moottorikansi 1285 W 230 V	4852	Kansi reiällä
40070	Säiliö, 40 l, metalli	42390	Tiiviste moottori 42309	4854	Levy
40516	Välitappi	42406	Hiliharja 1400 W, 230 V	4856	Äänieriste 485702
40524	Ohjauslaippa	424390	Moottorikansi auto	485706	Moottorikansi
40620	Pinnaruuvi	426700	Kahva	4863	Pakkaus
40646	KytKentäpala	42702	Muovipussi	4865	Äänieriste 485100
4089	Nauhapidike	42792	Haltija pussi	487005	Hiliharjalas 1200 W, 230 V
410701	Kaapeli Auto, EU	42803	Alusta DC 2900a	4873	Pyörä,kääntyvä
41340	Varoitusvalo/ punainen linssi	42814	Kummeliturkska	487803	kaapeli,sv
42027	Mikrosuodatin	42820	Alusta DC 2900c	487810	kaapeli, EU
42028	Tiiviste, polyester	4313	Kiristysnauha	489406	Piirikortti 230 V
42029	Tiiviste	442309	Jälkiasennussarja eco moottori 230 V, 1285 W	940453-70	Moduuli, saanti, asennetaan
4213	Tiiviste,itsekiinnittyvä	445704	Tiiviste	94164-E	Alkuperäiset ohjeet, DC 2900a/c/Auto
42149	Letkun liitäntä	46006	Kaapelisarjoja, moottori top STD	942074-40	Pohjalukitus sykloni
42273	Tiiviste	46007	Kaapelisarjoja, moottori top AUTO	942101-02	Moduuli vaipan
42283	Kanava myyntipisteistä				
42306	Pyöräsarja	480501	Kaapeli L= 6 m (CH)		
42309-01	Moottori, eco, 1285 W, 230 V				

Norsk

Art. nr	Benevnelse	Art. nr	Benevnelse	Art. nr	Benevnelse
201201	Sugeslange 38, swivel-kontakt ermet antista tiske	42309-01	Motor, eco, 1285 W, 230 V	46007	Kabelsett, motor toppen AUTO
2105	Sugeslange 38, muff, L=5m	423095	Børstemekanisme Eco-motor, 1285 W, 230 V	480501	Kabling L= 6 m (CH)
40048	Bendbeskyttelse	42366	Spennlås	4850	Tetningslist
40070	Beholdere, 40 l, plate	423870	Motoroverdel 1285 W 230 V	485100	Lokk
40516	Distanse	42390	Pakning for motor 42309	4852	Lokk med hull
40524	Styreflens	42406	Børstemekanisme 1400 W, 230 V	4854	Plate
40620	Pinneskrue	424390	Motoroverdel auto	4856	Lydabsorbent for 485702
40646	Koblingssplint	426700	Håndtak	485706	Motormantel
4089	Spennbåndsholder	42702	Plastpose	4863	Pakking
410701	EI kabel Auto, EU	42792	Holder veske	4865	Lydabsorbent for 485100
41340	Indikeringslampe/linse rød	42803	Chassi DC 2900a	487005	Børstemekanisme 1200 W, 230 V
42027	Mikrofilter	42814	Hake	4873	Lenkhjul
42028	Finfilter, polyester	42820	Chassi DC 2900c	487810	Kabling, EU
42029	Finfilter, cellulose	4313	Spennbånd	489406	Kretskort 230 V
4213	Pakning, selvheftende	442309	Gjenoppbygging Kitt Eco-motor, 230 V EU	940453-70	Module, inntak, monter
42149	Slangefeste	445704	Pakning	94164-E	Original bruksanvisning, DC 2900a/c/Auto
42273	Pakning	46006	Kabelsett, motor toppen STD	942074-40	Bunnlås sykklon
42283	Utluftkanal			942101-02	Modul mantelen
42306	Hjulsats				

Polski

Nr kat.	Opis	Nr kat.	Opis	Nr kat.	Opis
201201	Wąż ssący 38, Złącze obrotowe tuleja, antysta-tyczny	423095	Mechanizm szczotkowy Eco-motor, 1285 W, 230 V	46007	Zestaw kabli, silnik góry AUTO
2105	Wąż ssący 38, L=5m	42366	Łącznik	480501	Przewód L= 6 m (CH)
40048	Zabezpieczenie przed zgięciem	423870	Obudowa wentylatora 1285 W, 230 V	4850	Uszczelka
40070	Pojemnik, 40 l, metalowy	42390	Uszczelka do silnika 42309	485100	Pokrywa pełna
40516	Element dystansowy	42406	Mechanizm szczotkowy 1400 W, 230 V	4852	Pokrywa z otworem
40524	Kołnierz prowadzący	424390	Obudowa wentylatora Auto	4854	Płytką
40620	Śruba mocująca	426700	Uchwyt	4856	Tłumik do 485702
40646	Złącze	42702	Worek z tworzywa sztucznego	485706	Obudowa silnika
410701	Przewód Auto, EU	42792	Worek	4863	Uszczelka do silnika
41340	Czerwona kontrolka	42803	Podstawa DC 2900a	4865	Tłumik do 485100
4089	Uchwyt taśmowy	42814	Łącznik	487005	Mechanizm szczotkowy 1200 W, 230 V
40097	Przełącznik 115 V	42820	Podstawa DC 2900c	4871	Silnik 1200 W, 115 V
40104	Przełącznik 115 V z pokrywą bezpieczeństwa	4313	Pasek	4873	Kółko samonastawne
42027	Filtr HEPA	442309	Przebudowa Kitt Eco-motor, 230 V EU	487802	Przewód USA/Kanada
42028	Poliestrowy filtr dokładny	445704	Uszczelka	487808	Przewód GB2, 115 V
42029	Celulozowy filtr dokładny	46006	Zestaw kabli, silnik góry STD	487810	Przewód UE
4213	Kształtka uszczelniająca			487811	Przewód GB1, 230 V
42149	Wąż podłączeniowy			489406	Płytką obwodów 230 V
42273	Uszczelka			940453-70	Włot
42283	Wyloty kanału			94164-E	Oryginalna instrukcja DC 2900a/c/Auto
42306	Zestaw kołowy			942074-40	Odpylacz z blokadą dolną
42309-01	Silnik, eco, 1285 W, 230 V			942101-02	Ośłona modułowa

EG-Konformitätserklärung

Das versichern wir hiermit DC 2900 den folgenden Vorschriften und Normen entspricht:

2006/42/EC, 2014/30/EU, 2014/35/EU, EN 60204-1:2018, EN1822-1:2019.

Dustcontrol AB



Nina Uggowitzer / CEO

2021-09-15



Peter Söderling / Technical Manager

2021-09-15

WEEE (Abfall von Elektro- und Elektronik- Altgeräte)

Gilt nur für EU-Länder: Elektrowerkzeuge dürfen nicht im Hausmüll entsorgt werden. Gemäß Richtlinie 2002/96/EG für älteren Elektro- und Elektronikgeräten und ihrer Verwendung nach nationalem Recht muss ausgedientes Elektrowerkzeug separat aussortiert und einem umweltverträglichen Recycling zugeführt werden.

Indicaciones de seguridad

Lea las siguientes instrucciones de seguridad antes de arrancar esta máquina. Guarde el Manual. Si no se siguen las instrucciones de seguridad, la garantía dejará de tener validez y, como consecuencia de ello, se pueden producir lesiones personales y en el producto. Dustcontrol no asume ninguna responsabilidad por los daños producidos en el equipo derivados de una instalación incorrecta o de un manejo incorrecto del equipo. Dustcontrol no asume ninguna responsabilidad por los daños producidos en el equipo derivados de una instalación incorrecta o de un manejo incorrecto del equipo.

Advertencia

Esta máquina está diseñada únicamente para un uso profesional.

Utilice únicamente accesorios y piezas de repuesto incluidas en la gama de Dustcontrol.



AVISO

Utilice la máquina para el objetivo para el que está prevista. Siga las instrucciones para el material que se aspira.



AVISO

Esta máquina está diseñada solo para aspirar material seco.



AVISO

Cuando se utilicen dispositivos eléctricos, se deben seguir las indicaciones de seguridad básicas de seguridad para reducir el riesgo de incendio, descarga eléctrica o lesiones personales.



AVISO

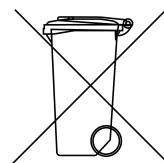
Si se utilizan artículos defectuosos o falsificados (sobre todo filtros, mangueras y bolsas de plástico), la máquina puede filtrar polvo nocivo y ello puede provocar lesiones personales.

Protección del medio ambiente

El material del embalaje se puede reciclar. No deseche el embalaje junto con los residuos domésticos, recíclalo. El conjunto desechado contiene material reciclable que debe reciclarse. Las baterías, el aceite y sustancias similares no deben liberarse en el medio ambiente. Elimine el conjunto de los componentes desguazados en unas instalaciones de reciclaje adecuadas.

Las unidades desechadas contienen material reciclable que debe reciclarse. Las baterías, aceite y sustancias similares no deben liberarse al medio ambiente. Entregue las unidades desechadas a un sistema de reciclaje adecuado.

Los filtros desechados contienen material reciclable que debe reciclarse. Transfiera los filtros usados a un sistema de reciclaje adecuado.



Para obtener más información, póngase en contacto con la planta de reciclaje más cercana.

Entorno de trabajo

No exponga la máquina a la humedad. No la utilice en espacios húmedos o mojados o cerca de líquidos o gases inflamables.



ATENCIÓN

Esta máquina solo se debe utilizar y guardar en un ambiente seco.



ATENCIÓN

No se debe enjuagar la máquina con agua.

Sobrecarga

No permita nunca que la máquina funcione ahogada, ya que esto representa un riesgo de sobrecalentamiento.

Lesiones corporales



ATENCIÓN

No intente nunca cambiar las conexiones eléctricas usted mismo. ¡Un error puede ser letal!

No deje nunca que el punto de aspiración entre en contacto con ninguna parte del cuerpo. La fuerte presión negativa puede dañar los vasos sanguíneos de la piel.



AVISO

Cuando monte, manipule y transporte la máquina, deberá utilizar guantes protectores para evitar que se produzcan lesiones personales debido a los bordes afilados.

Cable de alimentación

No arrastre nunca la máquina tirando del cable de alimentación. No exponga el cable de alimentación al calor ni a objetos afilados. Compruebe el cable de alimentación con regularidad.

Al empalmar el cable de alimentación, el alargador debe ser estanco.

La máquina no se debe utilizar si los cables de alimentación o los contactos están dañados.

Si el cable de alimentación está dañado, debe ser sustituido por Dustcontrol o un taller de servicio autorizado por Dustcontrol.

Medida importante

La máquina solo se debe utilizar si todos los filtros están intactos y en su sitio.

Cuidados

Mantenga la máquina limpia y libre de depósitos de polvo. Asegúrese de que la manguera de aspiración esté entera y de que todas las juntas de estanqueidad estén intactas y sin defectos. Mantenga las asas de transporte secas y libres de aceite y grasa.

Control

Compruebe periódicamente que la unidad no tiene daños ni desgaste. En caso de aparecer daños, los debe subsanar un taller de servicio autorizado por Dustcontrol.

Descripción de las funciones

El separador de polvo funciona con presión negativa (succión) que aspira el aire desde el colector de aspiración/boquerel, pasa a través de la manguera, y a continuación a través del filtro fino y el filtro HEPA como etapa final. La separación gruesa se realiza en el ciclón de la unidad, que es una separación muy eficiente de cualquier polvo más grueso. El polvo fino se separa en el filtro de la unidad. La limpieza del filtro con impulso de aire inverso proporciona a los filtros una vida útil extra larga. La máquina está dotada de un microfiltro.

El separador de polvo tiene las siguientes opciones de recogida:

c- Bolsa de plástico: El material succionado y separado se recoge en una bolsa de plástico de 20 litros que se puede quitar con una acción sencilla. De este modo, el material se puede reciclar o eliminar fácilmente.

a- Depósito: Un depósito cilíndrico para la recogida del material separado.

L- Longopac: La máquina está equipada con un sistema de bolsa flexible, donde el polvo se recoge en un sistema cerrado.

Datos técnicos

	DC 2900a	DC 2900c	DC 2900L
HxAxF [mm]	1145x445x630	1110x445x570	1110x445x570
Peso [kg]	22	16	19
Entrada [mm]	Ø 50	Ø 50	Ø 50
Longitud de la manguera Ø38 [m]	5	5	5
Capacidad contenedor [l]	40	20	longopac
Caudal Max. [m ³ /h]	205	205	205
Presión negativa Max. [kPa]	24	24	24
Potencia de salida [W]	1285 (230)	1285 (230)	1285 (230)
Auto: Herramienta eléctrica conectada*/mín. 200W	max		
	230 V/10 A: 1200 W		
	230 V/16 A: 2200 W		
Filtro fino poliéster, superficie [m ²]	1,5	1,5	1,5
Grado separación filtro fino	99,9	99,9	99,9
Superficie microfiltro[m ²]	0,85	0,85	0,85
Máquina de grado de separación, EN 60335-2-69, Anexo A-A, Clase H [%]	99,995	99,995	99,995
Clasificación del filtro, EN 1822-1	HEPA H13	HEPA H13	HEPA H13
Nivel de ruido [dB(A)]	< 68	< 68	< 68

Funcionamiento

Conexión

Conecte la máquina a una toma de corriente con tensión según las especificaciones de la placa de identificación de la máquina.

Autoarranque

Conecte la herramienta eléctrica a la toma de corriente de la máquina. Coloque el selector en el modo automático (AUTO). La máquina se pone en marcha automáticamente cuando se arranca la herramienta. La máquina se apaga durante unos segundos cuando se apaga la herramienta conectada. Para arrancar manualmente la succión, ponga el selector en la posición MAN.

Limpeza de los filtros

La máquina tiene un testigo indicador del filtro que se ilumina cuando hay que limpiar o cambiar el filtro.

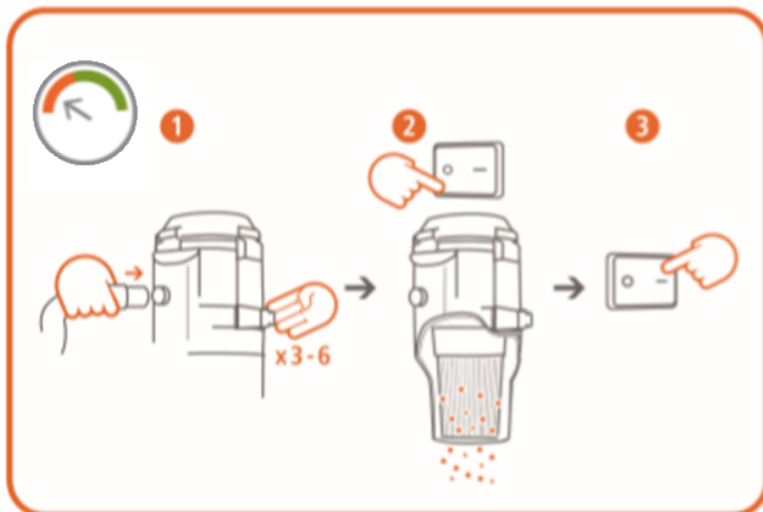
Los filtros se deben limpiar 1-2 veces al día cuando se hace un uso continuado y cuando la aguja del manómetro esté en el campo rojo.



Para limpiar el filtro, proceda como sigue:

Durante la limpieza del filtro, la máquina debe estar en marcha y la manguera se debe retirar del tubo de aspiración.

1. Presione el manguito de conexión contra el tope negro del conducto de salida o contra el suelo, de tal modo que se cree la máxima presión negativa en el ciclón.
Abra la tapa lateral 3-6 veces. El aire entra en la máquina y limpia el filtro con el efecto del pulso.
2. Apague la máquina y deja que el material caiga. Vuelva a conectar el tubo de aspiración.
3. Encienda la máquina.
4. Si la aguja del manómetro vuelve a estar en la zona verde, el trabajo puede continuar. Si todavía está en la zona roja, se debe repetir el proceso de limpieza. Algunas medidas (por ejemplo, las que restringen el flujo de aire) pueden hacer que el manómetro muestre un valor alto (el indicador está en la zona roja). La máquina no se debe dejar nunca permanentemente cuando el medidor esté en la zona roja, ya que representa un riesgo de sobrecalentamiento. La transición de la zona verde a la zona roja se produce a los 18 kPa.



Vaciado

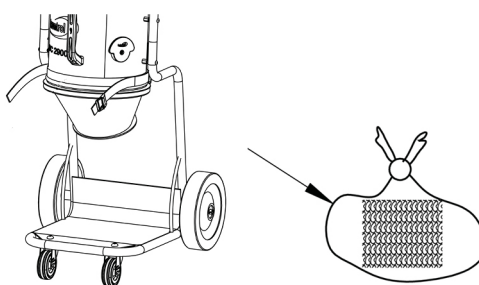
a - Depósito

El depósito debajo del ciclón se debe vaciar cuando esté aprox. 2/3 lleno.

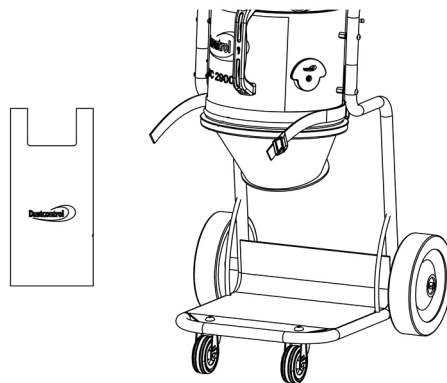
c- Bolsa de plástico

La bolsa de plástico solo debe cambiarse después de haber limpiado los filtros. Se debe cambiar cuando el nivel de polvo esté a unos 5 cm por debajo de la solapa de descarga.

Cambio de la bolsa sin levantar polvo



La máquina debe estar encendida durante todo el proceso de cambio de la bolsa. Extraiga la bolsa. La bolsa se debe cerrar después de haberla extraído de la máquina. Utilice solo bolsas originales de Dustcontrol.



Coloque la nueva bolsa. Utilice la correa tensora para no levantar polvo. Utilice los ganchos para colgar la bolsa de manera sencilla.

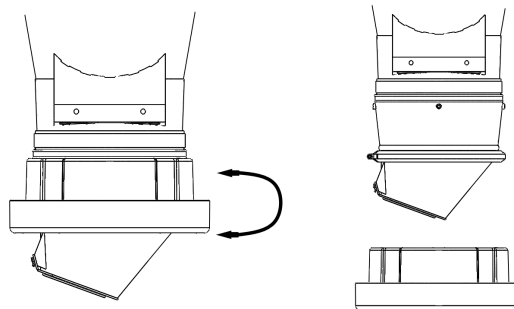
Limpie el filtro y utilice el separador de polvo.

L- Longopac

Cuando se considera que la bolsa está llena en el nivel que considere adecuado, se cierra con las bridas que se incluyen. Hay una brida adicional que se fija un poco más arriba. Esto crea la base para la siguiente bolsa. A continuación, la bolsa llena se corta y se retira y la máquina vuelve a estar lista para su uso.

Cambio del depósito de bolsas

1. Gire el soporte hasta la posición en la que se pueda bajar hacia abajo.
2. Coloque un depósito de bolsas en el soporte y vuelva a instalarlo.
3. Corte las cuatro correas que sujetan el depósito de bolsas y tire del extremo interior de la bolsa hacia arriba sobre la tira de goma. A continuación, apriete la bolsa con la correa tensora. El extremo exterior se empuja hacia abajo sobre el soporte y se fija una brida para cerrar la base.



Puesta a punto/Mantenimiento

Limpieza

Cuando limpie y mantenga la máquina, apáguela y quite el contacto.

Cambio de los filtros

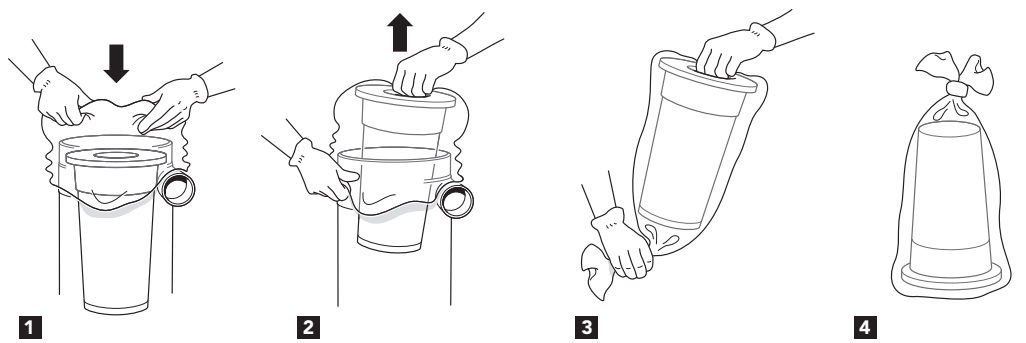
El filtro fino se debe cambiar por lo menos una vez al año. Solo se deben utilizar filtros originales. El filtro HEPA se debe cambiar al cabo de 300 horas.



AVISO

El cambio de los filtros solo lo debe realizar personal formado. Utilice una mascarilla protectora y el equipo adecuado.

Afloje y levante la parte superior para poder acceder sin problemas al filtro. Levante el filtro en posición recta hacia arriba. Si es necesario, enrosque una bolsa de plástico sobre el ciclón para evitar esparcir el polvo del filtro. Cuando cambie el filtro, verifique el envasado. Un envasado que no sea estanco puede provocar emisiones de polvo peligroso. No utilice nunca envases viejos ni falsificados. Los filtros cambiados se deben guardar en una bolsa de plástico que se debe sellar. Consulte las instrucciones a continuación.



Motor

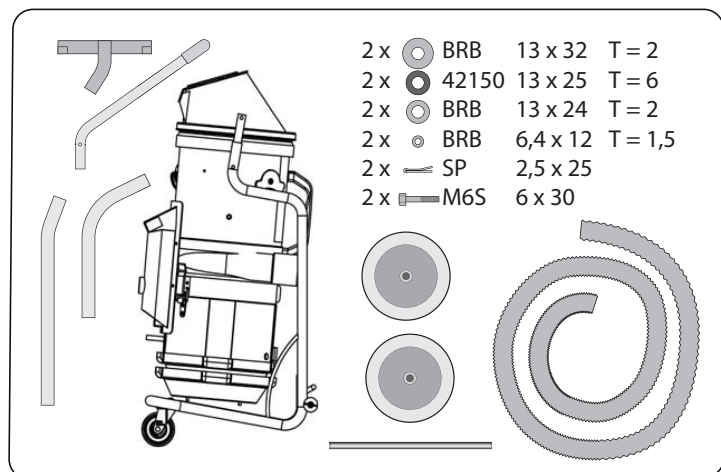
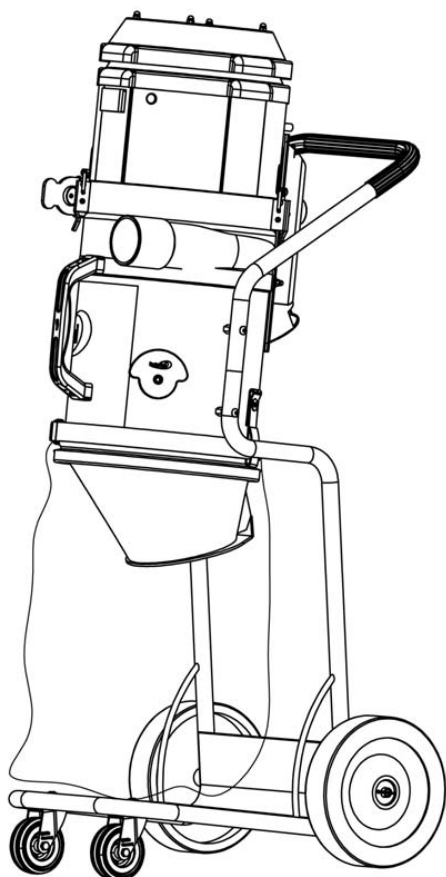
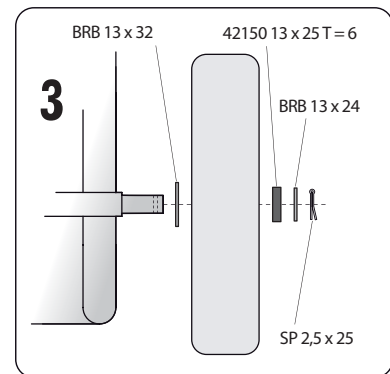
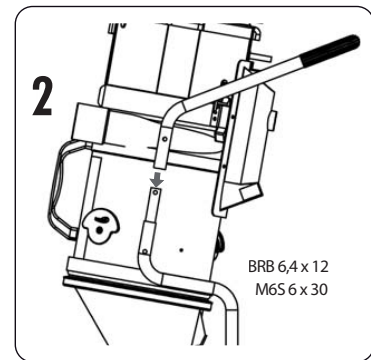
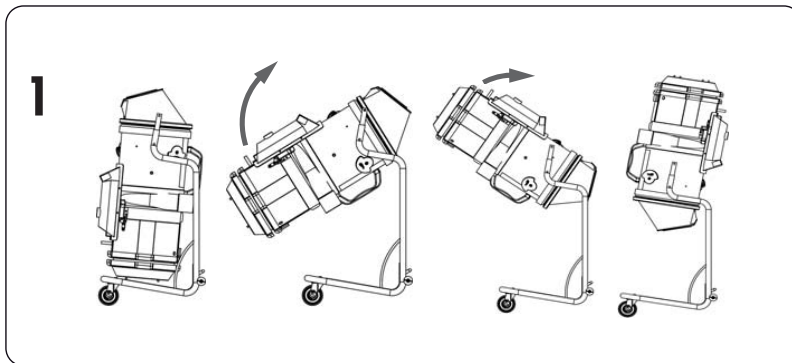
Para los motores del ventilador, la vida útil típica de los cepillos originales es de 600-700 horas. El cepillo se puede cambiar. Para el segundo paquete del cepillo, la vida útil es de aprox. 400 horas y para el tercer paquete del cepillo es de unas 300 horas. Después de este tiempo, el colector se desgasta hay que cambiar el motor.

Verificación periódica

Verifique periódicamente que el cable de alimentación no esté dañado.

Se debe hacer una prueba del funcionamiento de la máquina y revisarse por lo menos una vez al año, ya que es una máquina para materiales perjudiciales para la salud. Las piezas desgastadas se deben sustituir. Nunca ponga en peligro las funciones y la vida útil. Utilice únicamente piezas originales.

DC 2900



Consumibles

Denominación	N.º de artículo
Bolsa de plástico, estándar	42291
Bolsa de plástico longopac 12m	44763
Bolsa de plástico longopac 23m	432177
Filtro fino, celulosa con protección del filtro integrada	42029
Filtro fino, poliéster con protección del filtro integrada	42028
Microfiltro	42027

Para las piezas de repuesto, consulte el [sitio web de Dustcontrol](#).

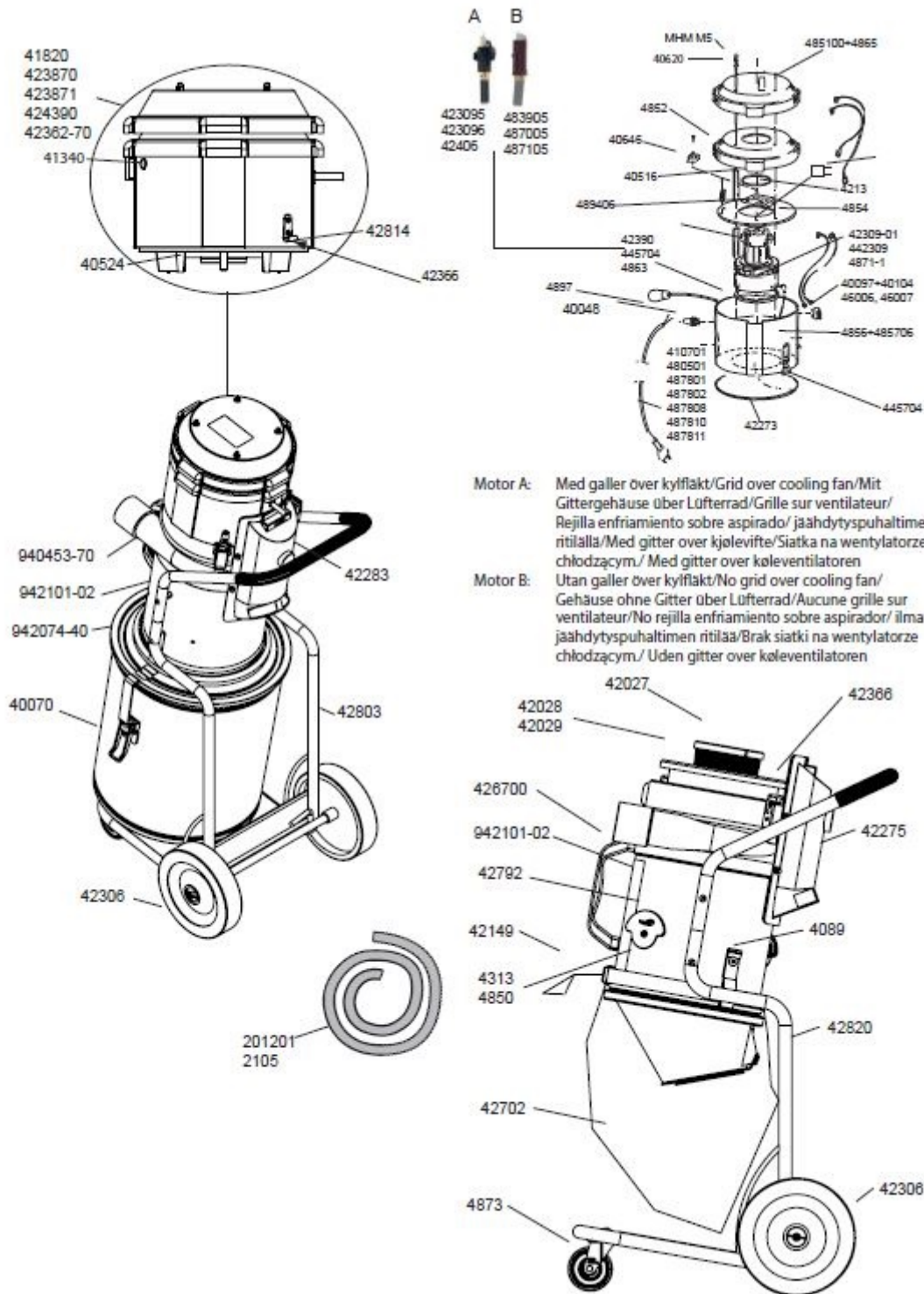
Garantía

El período de garantía es de dos años y cubre los defectos de fabricación. La garantía se aplica siempre que la máquina se utilice de manera normal y reciba la puesta a punto requerida. No se sustituyen las piezas que han sufrido un desgaste normal. Las reparaciones las deberán realizar Dustcontrol o una persona autorizada por Dustcontrol. De lo contrario, la garantía quedará anulada.

DetECCIÓN Y RESOLUCIÓN DE PROBLEMAS

Problema	Causa	Solución
El motor no funciona.	La electricidad no está conectada.	Conecte la electricidad.
El motor se detiene inmediatamente después de arrancar.	Fusible defectuoso.	Cambie y ponga un fusible correcto.
El motor funciona pero la máquina no succiona.	La manguera de succión no está conectada.	Conecte la manguera.
El motor funciona pero la máquina succiona mal.	La manguera de succión tiene agujeros.	Cambie la manguera.
	Filtro obstruido.	Límpielo o cámbielo.
	La manguera de succión es demasiado larga o demasiado estrecha.	Cambie la manguera.
	La manguera está parcialmente obstruida.	Gire la manguera o límpiela.
	La parte superior de la máquina está mal montada.	Ajuste el ensamblaje.
	Se ha acumulado polvo en el ciclón.	Quite la parte superior y limpie el ciclón.
	La bomba gira en la dirección incorrecta.	Deja que el electricista cambie la fase.
El motor se detiene durante el funcionamiento	El motor se ha sobrecalentado	Compruebe que la máquina no esté ahogada y espere hasta que la máquina se haya enfriado (unos 30 minutos)
La máquina expulsa polvo.	El filtro se ha aflojado o se ha roto.	Verifíquelo y sustitúyalo de ser preciso.
Ruido anormal procedente de la máquina.		Concierte una cita para que la pongan a punto.

Reservedele/Spare parts/Ersatzteile/Pièces de rechange/Recambios/Varaosat/ Reserveonderdelen/Reservedeeler/Reservdelar



Svenska

Art nr	Benämning	Art nr	Benämning	Art nr	Benämning
201201	Sugslang 38, vridbar anslutningshylsa, antistatisk	423870	Motoröverdel 1285 W 230 V	4852	Lock med hål
2105	Sugslang 38, muff, L=5m	42390	Packning till motor 42309	4854	Platta
40048	Böj-skydd	423095	Borstmekanism Eco-motor, 1285 W, 230 V	4856	Ljudabsorbent för 485702
40070	Behållare, 40 l, plåt	42406	Borstmekanism 1400 W, 230 V	485706	Motormantel
40516	Distans	424390	Motoröverdel auto	4863	Packning
40524	Styrfläns	426700	Handtag	4865	Ljudabsorbent för 485100
40620	Pinnskruv	42702	Plastsäck	487005	Borstmekanism 1200 W, 230 V
40646	Kopplingsplint	42792	Hållare säck	4873	Länkhjul
4089	Spännbandshållare	42803	Chassi DC 2900a	487810	Sladdställ, EU
410701	Sladdställ Auto, EU	42814	Hake	489406	Kretskort 230 V
41340	Indikeringslampa med röd lins	42820	Chassi DC 2900c	4897	Sladdställ Auto med hona
42027	Mikrofilter	4313	Spännband	940453-70	Modul, inlopp, monterad
42028	Finfilter, polyester	442309	Ombyggnadskitt Eco-motor, 230 V EU	94164-E	Bruksanvisning i original, DC 2900a/c/Auto
42029	Finfilter, cellulosa	445704	Packning	942074-40	Bottenlock cyklon
4213	Packning, självhäftande	46006	Kabelsats, motoröverdel STD	942101-02	Modul mantel
42149	Spännband	46007	Kabelsats, motoröverdel AUTO		
42273	Packning	480501	Sladdställ L= 6 m (CH)		
42283	Utluftkanal	4850	Tätningslist		
42306	Hjulsats	485100	Lock		
42309-01	Motor, eco, 1285 W, 230 V				
42366	Spännlås				

English

Part No	Description	Part No	Description	Part No	Description
201201	Suction hose 38, swivel connector sleeve, antistatic	423095	Brush mechanism Eco-motor, 1285 W, 230 V	4850	1050 W, 115 V Gasket
2105	Suction hose 38, L=5m	423096	Brush mechanism Eco-motor, 1340 W, 120 V	485100	Solid cover
40048	Bend protector	42362-70	Fan housing 115 V	4852	Cover with hole
40070	Container, 40 l, metal	42366	Fastener	4854	Plate
40097	Switch, 110 V	423870	Fan housing 1285 W 230 V	4856	Sound absorbent for 485702
40104	Safety cover switch, 110 V	423871	Fan housing UK, 1285 W, 230 V	485706	Motor housing
40516	Spacer	42390	Gasket for motor 42309	4863	Gasket for motor 4870, 4871
40524	Guiding flange	42406	Brush mechanism 1400 W, 230 V	4865	Sound absorbent for 485100
40620	Retaining bolt	424390	Fan housing auto	487005	Brush mechanism 1200 W, 230 V
40646	Terminal connector	426700	Handle	487105	Brush mechanism, 1200 W, 115 V
410701	Cable Auto, EU	42702	Plastic bag	4871-1	Motor 1340 W, 120 V, 50/60 Hz, UL ECO
41340	Indication light with red lens	42792	Holder bag	4873	Caster
4089	Band holder	42803	Chassis DC 2900a	487802	Cable USA/Can, L=2 m
40097	Switch 115 V	42814	Hitch DC 2900	487808	Cable GB, 115 V
40104	Safety cover switch 115 V	42820	Chassis DC 2900c	487810	Cable, EU
41820	Motor cover USA, 1340 W, 115 V	4313	Strap	487811	Cable GB, 220 V
42027	HEPA filter	442309	Retrofit Kit eco Motor 230 V, 1285 W	489406	Circuit card 230 V
42028	Fine filter, polyester	445704	Gasket	940453-70	Inlet
42029	Fine filter, cellulose	46006	Cable set, motor top STD	94164-E	Original instructions DC 2900a/c/Auto
4213	Sealing moulding	46007	Cable set, motor top AUTO	942074-40	Bottom Lock cyclone
42149	Hose Attachment	480501	Cable L= 6 m (CH)	942101-02	Module mantle
42273	Gasket	483905	Brush mechanism,		
42283	Channel outlets				
42306	Wheelset				
42309-01	Motor, eco, 1285 W,				

Art Nr	Bezeichnung	Art Nr	Bezeichnung	Art Nr	Bezeichnung
201201	Saugschlauch, Schwenk- verbindungshülse antista- tisch	423095	Kohlebürsten ECO-Motor, 230 V, 1285 W	485100	Deckel
2105	Saugschlauch 38, L=5m	42366	Haken für Behälter	4852	Deckel Loch
40048	Knickschutz	423870	Motoroberteil 1285 W 230 V	4854	Platte
40070	Behälter, 40 l, Metall	42390	Dichtung für motor 42309	4856	Schallisolierung für 485702
40516	Distanz	42406	Kohle 1400 W, 230 V	485706	Motormantel
40524	Flansch	424390	Motoroberteil auto	4863	Dichtung für motor 4870
40620	Stiftschraube	426700	Handgriff	4865	Schallisolierung für 485100
40646	Schaltplint	42702	Plastiktüte	487005	Kohle 1200 W, 230 V
410701	Kabel Auto, EU	42792	Halter Tasche	4873	Lenkrolle
41340	Optisch Anzeige/Linse rot	42803	Chassis DC 2900a	487801	Kabel CH
4089	Spannbandhalterung	42814	Haken DC 2900	487810	Kabel EU
42027	Mikrofilter	42820	Chassis DC 2900c	489406	Kreiskarte 230 V
42028	Feinfilter, Polyester	4313	Spannband	940453-70	Modul, einlass, montiert
42029	Feinfilter, Zellulose	442309	Umbausatz Eco Motor 230 V, 1285 W	94164-E	Originalbetriebsanleitung DC 2900a/c/Auto
4213	Dichtung, selbstklebend	445704	Dichtung	942074-40	Bottom Lock Zyklon
42149	Schlauchhalter	46006	Kabelsatz , Motor oben STD	942101-02	Module Mantel
42283	Dichtung	46007	Kabelsatz , Motor oben AUTO		
42275	Kanalaustritte	480501	Kabel L= 6 m (CH)		
42306	Laufbandsatz	4850	Dichtung		
42309-01	Motor, eco, 1285 W, 230 V				

Art N°	Description	Art N°	Description	Art N°	Description
201201	Tuyau flexible 38, manchon de connecteur pivotant, antistatique	423095	Mécanisme de brosse, moteur éco 230 V, 1285 W	480501	moteur AUTO
2105	Flexible d'aspiration 38, L=5m	42362-70	Tête, complète 115 V	4850	Cordon électrique L= 6 m (CH)
40048	Passe-câble	42366	Verrou de tension	485100	Garniture d'étanchéité
40070	Conteneur, 40 l, tôle	423870	Tête, complète 1285 W 230 V	4852	Couvercle
40516	Rondelle d'écartement	42390	Joint moteur 1400 W	4854	Couvercle intérieur
40524	Bride directrice	42406	Charbon moteur 1400 W, 230 V	4856	Support moteur
40620	Vis allongée	424390	Partie sup. de moteur Auto	485706	Mousse insonorisante moteur 485702
40646	Connecteur électrique	426700	Poignée	4863	Cage de moteur
4089	Porte-sangle	42702	Sac en plastique	4865	Joint
410701	Cordon électrique Auto, EU	42792	Sac titulaire	487005	Mousse insonorisante moteur 485100
41340	Indication lampe/lentille rouge	42803	Châssis DC 2900a	4873	Charbon moteur 1200 W, 230 V
42027	Microfiltre HEPA	42814	Merlu	487810	Roue avant
42028	Filtre fin, polyester	42820	Châssis DC 2900c	489406	Cordon électrique EU
42029	Filtre fin, cellulose	4313	Courroie de serrage	940453-70	Circuit card 230 V
4213	Joint	442309	Kit de mise à niveau Moteur éco 230 V, 1285W	94164-E	Module, l'apport, monté Notice originale DC 2900a/c/Auto
42149	Fixation de tuyau	445704	Jonction	942074-40	Bas cyclones
42273	Joint	46006	Jeu de câbles, haut moteur STD	942101-02	Verrouillage Module manteau
42283	Sorties de canal	46007	Jeu de câbles, haut		
42306	Kit de roues				
42309-01	Moteur, eco, 1285 W, 230 V				

Ref	Descripción	Ref	Descripción	Ref	Descripción
201201	Manguera de succión 38, manga conector giratorio, antiestático		Eco-motor, 1285 W, 230 V	480501	Cable L= 6 m (CH)
2105	Manguera de succión 38, L=5m	42362-70	Carcasa aspirador 115 V	4850	Junta
40048	Curva protección	42366	Abrazadera rápida	485100	Tapa ciega
40070	Contenedores, 40 l, de acero	423870	Carcasa aspirador 1285 W 230 V	4852	Tapa con agujero
40516	Espaciador	42390	Junta motor 1400 W	4854	Placa
40524	Brida guía	42406	Mecanismo de escobillas 1400 W, 230 V	4856	Absorbente de sonido para 485702
40620	Tuerca auto-frenable	424390	Interruptor with cable and condense	485706	Carcasa motor embalaje
40646	Conector terminal	426700	Asa	4863	Absorbente de sonido para 485100
4089	Colgador banda	42702	Bolsa de plástico	4865	Mecanismo de escobillas 1200 W, 230 V
410701	Cable Auto, EU	42792	Titular de la Bolsa de	4873	Rueda pequeña
41340	Indicar lámpara/lente rojo	42803	Chasis DC 2900a	487810	Cable EU
42027	Filtro HEPA	42814	Merluza	489406	Tarjeta electrónica 230 V
42028	Filtro fino, poliéster	42820	Chasis DC 2900c	940453-70	Módulo, el consumo, montaje
42029	Filtro fino, celulosa	4313	Cinta	94164-E	Manual original DC 2900a/c/Auto
4213	Junta moldeada	442309	Kit de actualización Eco-motor, 230 V EU	942074-40	Parte inferior del ciclón de bloqueo
42149	Acoplamiento manguera	445704	Junta	942101-02	Módulo del manto
42273	Junta	46006	Juego de cables, la parte superior del motor STD		
42283	Puntos de venta del canal		Juego de cables, la parte superior del motor AUTO		
42306	Juego de ruedas				
42309-01	Motor, eco, 1285 W, 230 V	46007			
423095	Mecanismo de ruptura,				

Suomi

art.no	Nimike	art.no	Nimike	art.no	Nimike
201201	Imuletku 38, kääntyvä liitin holkki antistaattinen	423095	Harjamekanismi, eco-moottori 230 V, 1285 W	4850	Tiiviste
2105	Imuletku 38, L=5m	42366	Kiristyslukko	485100	Kansi
40048	Taivutussuoja	423870	Moottorikansi 1285 W 230 V	4852	Kansi reiällä
40070	Säiliö, 40 l, metalli	42390	Tiiviste moottori 42309	4854	Levy
40516	Välitappi	42406	Hiiharja 1400 W, 230 V	4856	Äänieriste 485702
40524	Ohjauslaippa	424390	Moottorikansi auto	485706	Moottorikansi
40620	Pinnaruuvi	426700	Kahva	4863	Pakkaus
40646	KytKentäpala	42702	Muovipussi	4865	Äänieriste 485100
4089	Nauhapidike	42792	Haltija pussi	487005	Hiiharjalas 1200 W, 230 V
410701	Kaapeli Auto, EU	42803	Alusta DC 2900a	4873	Pyörä,kääntyvä
41340	Varoitusvalo/ punainen linssi	42814	Kummeliturkska	487803	kaapeli,sv
42027	Mikrosuodatin	42820	Alusta DC 2900c	487810	kaapeli, EU
42028	Tiiviste, polyester	4313	Kiristysnauha	489406	Piirikortti 230 V
42029	Tiiviste	442309	Jälkiasennussarja eco moottori 230 V, 1285 W	940453-70	Moduuli, saanti, asennetaan
4213	Tiiviste,itsekiinnittyvä	445704	Tiiviste	94164-E	Alkuperäiset ohjeet, DC 2900a/c/Auto
42149	Letkun liitäntä	46006	Kaapelisarjoja, moottori top STD	942074-40	Pohjalukitus sykloni
42273	Tiiviste	46007	Kaapelisarjoja, moottori top AUTO	942101-02	Moduuli vaipan
42283	Kanava myyntipisteistä				
42306	Pyöräsarja				
42309-01	Moottori, eco, 1285 W, 230 V	480501	Kaapeli L= 6 m (CH)		

Norsk

Art. nr	Benevnelse	Art. nr	Benevnelse	Art. nr	Benevnelse
201201	Sugeslange 38, swivel-kontakt ermet antista tiske	42309-01	Motor, eco, 1285 W, 230 V	46007	Kabelsett, motor toppen AUTO
2105	Sugeslange 38, muff, L=5m	423095	Børstemekanisme Eco-motor, 1285 W, 230 V	480501	Kabling L= 6 m (CH)
40048	Bendbeskyttelse	42366	Spennlås	4850	Tetningslist
40070	Beholdere, 40 l, plate	423870	Motoroverdel 1285 W 230 V	485100	Lokk
40516	Distanse	42390	Pakning for motor 42309	4852	Lokk med hull
40524	Styreflens	42406	Børstemekanisme 1400 W, 230 V	4854	Plate
40620	Pinneskrue	424390	Motoroverdel auto	4856	Lydabsorbent for 485702
40646	Koblingssplint	426700	Håndtak	485706	Motormantel
4089	Spennbåndsholder	42702	Plastpose	4863	Pakking
410701	EI kabel Auto, EU	42702	Holder veske	4865	Lydabsorbent for 485100
41340	Indikeringslampe/linse rød	42792	Chassi DC 2900a	487005	Børstemekanisme 1200 W, 230 V
42027	Mikrofilter	42803	Hake	4873	Lenkhjul
42028	Finfilter, polyester	42814	Chassi DC 2900c	487810	Kabling, EU
42029	Finfilter, cellulose	42820	Spennbånd	489406	Kretskort 230 V
4213	Pakning, selvheftende	4313	Gjenoppbygging Kitt Eco-motor, 230 V EU	940453-70	Module, inntak, monter
42149	Slangefeste	442309	Pakning	94164-E	Original bruksanvisning, DC 2900a/c/Auto
42273	Pakning	445704	Kabelsett, motor toppen STD	942074-40	Bunnlås sykklon
42283	Utluftkanal	46006		942101-02	Modul mantelen
42306	Hjulsats				

Polski

Nr kat.	Opis	Nr kat.	Opis	Nr kat.	Opis
201201	Wąż ssący 38, Złącze obrotowe tuleja, antysta-tyczny	423095	Mechanizm szczotkowy Eco-motor, 1285 W, 230 V	46007	Zestaw kabli, silnik góry AUTO
2105	Wąż ssący 38, L=5m	42366	Łącznik	480501	Przewód L= 6 m (CH)
40048	Zabezpieczenie przed zgięciem	423870	Obudowa wentylatora 1285 W, 230 V	4850	Uszczelka
40070	Pojemnik, 40 l, metalowy	42390	Uszczelka do silnika 42309	485100	Pokrywa pełna
40516	Element dystansowy	42406	Mechanizm szczotkowy 1400 W, 230 V	4852	Pokrywa z otworem
40524	Kołnierz prowadzący	424390	Obudowa wentylatora Auto	4854	Płytki
40620	Śruba mocująca	426700	Uchwyt	4856	Tłumik do 485702
40646	Złącze	42702	Worek z tworzywa sztucznego	485706	Obudowa silnika
410701	Przewód Auto, EU	42702	Worek	4863	Uszczelka do silnika
41340	Czerwona kontrolka	42792	Podstawa DC 2900a	4865	Tłumik do 485100
4089	Uchwyt taśmowy	42803	Łącznik	487005	Mechanizm szczotkowy 1200 W, 230 V
40097	Przełącznik 115 V	42814	Podstawa DC 2900c	4871	Silnik 1200 W, 115 V
40104	Przełącznik 115 V z pokrywą bezpieczeństwa	42820	Pasek	4873	Kółko samonastawne
42027	Filtr HEPA	4313	Przebudowa Kitt Eco-motor, 230 V EU	487802	Przewód USA/Kanada
42028	Poliestrowy filtr dokładny	442309	Uszczelka	487808	Przewód GB2, 115 V
42029	Celulozowy filtr dokładny	445704	Zestaw kabli, silnik góry STD	487810	Przewód UE
4213	Kształtka uszczelniająca	46006		487811	Przewód GB1, 230 V
42149	Wąż podłączeniowy			489406	Płytki obwodów 230 V
42273	Uszczelka			940453-70	Włot
42283	Wyloty kanału			94164-E	Oryginalna instrukcja DC 2900a/c/Auto
42306	Zestaw kołowy			942074-40	Odpylacz z blokadą dolną
42309-01	Silnik, eco, 1285 W, 230 V			942101-02	Ośłona modułowa

Declaración de conformidad para el mercado CE

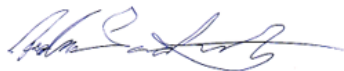
Por la presente aseguramos que DC 2900 cumple con las siguientes regulaciones y estándares:

2006/42/EC, 2014/30/EU, 2014/35/EU, EN 60204-1:2018, EN1822-1:2019.

Dustcontrol AB



Nina Uggowitzer / CEO
2021-09-15



Peter Söderling / Technical Manager
2021-09-15

RAEE (Residuos de aparatos eléctricos y electrónicos)

Solo se aplica a los países de la UE: Las herramientas eléctricas no deben desecharse junto con los residuos domésticos. En virtud de la Directiva 2002/96/CE relativa a los aparatos eléctricos y electrónicos más antiguos y su adecuación según la legislación nacional, las herramientas eléctricas al final de su vida útil se deben clasificar por separado y dejarse en lugares en los que se realice un reciclaje respetuoso con el medio ambiente.

Consignes de sécurité

Lire les instructions suivantes avant de démarrer cette machine. Conserver la notice d'utilisation. Le non-respect des consignes de sécurité entraîne l'annulation de la garantie et peut entraîner des dommages matériels et corporels. Dustcontrol n'est pas responsable des dommages de l'équipement résultant d'une mauvaise installation ou d'une utilisation incorrecte de l'équipement.

Avertissement

Cette machine est conçue pour un usage professionnel uniquement.

N'utilisez que des accessoires et des pièces de rechange incluses de la gamme Dustcontrol.



AVERTISSEMENT

Utiliser la machine pour l'usage prévu. Suivre les instructions relatives au matériau aspiré.



AVERTISSEMENT

Cette machine est uniquement conçue pour l'aspiration de matière sèche.



AVERTISSEMENT

Lors de l'utilisation de dispositifs électriques, les consignes de sécurité de base doivent être suivies pour réduire le risque d'incendie, de choc électrique ou de blessure.



AVERTISSEMENT

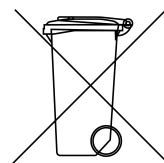
Lors de l'utilisation d'articles défectueux ou non d'origine (en particulier les filtres, les tuyaux et les sacs en plastique), des fuites de poussières nocives avec risque de blessures sont possibles.

Protection de l'environnement

Les matériaux d'emballage peuvent être recyclés. Ne pas jeter l'emballage dans les ordures ménagères, mais l'apporter dans un centre de recyclage. Les produits jetés contiennent des matériaux recyclables qui doivent être recyclés. Les piles, l'huile et les substances similaires ne doivent pas être rejetées dans l'environnement. Apporter les produits mis au rebut dans un centre de recyclage approprié.

Les unités jetées contiennent des matériaux recyclables qui doivent être recyclés. Les batteries, l'huile et les substances similaires ne doivent pas être rejetées dans l'environnement. Remettez les unités mises au rebut à un système de recyclage approprié.

Les filtres jetés contiennent des matériaux recyclables qui doivent être recyclés. Transférer les filtres usagés dans un système de recyclage approprié.



Pour plus d'informations, contacter le centre de recyclage le plus proche.

Environnement de travail

Ne pas exposer la machine à l'humidité. Ne pas utiliser la machine dans des espaces humides et mouillés ou à proximité de liquides ou de gaz inflammables.



ATTENTION

Utiliser et entreposer la machine uniquement dans un environnement sec.



ATTENTION

Ne pas rincer la machine avec de l'eau.

Surchauffe

Ne jamais laisser la machine tourner à une puissance de moteur réduite en raison du risque de surchauffe.

Blessures



ATTENTION

Ne jamais prendre l'initiative de modifier les branchements électriques. Une erreur pourrait être fatale !

Ne jamais laisser le point d'aspiration entrer en contact avec une partie quelconque du corps. La forte dépression peut endommager les vaisseaux sanguins de la peau.



AVERTISSEMENT

Lors du montage, de la manipulation et du transport de la machine, utiliser des gants de protection afin d'empêcher toute blessure due à des bords tranchants.

Cordon d'alimentation

Ne jamais tirer la machine par le cordon d'alimentation. Ne pas exposer le cordon d'alimentation à la chaleur ou aux objets tranchants. Vérifier régulièrement le cordon d'alimentation.

Lors de l'épissage du cordon d'alimentation, l'extension doit être étanche.

La machine ne doit pas être utilisée si les cordons d'alimentation ou les contacts sont endommagés.

Si le cordon d'alimentation est endommagé, il doit être remplacé par Dustcontrol ou par un centre de service autorisé Dustcontrol.

Mesure importante

La machine ne doit être utilisée que si tous les filtres sont intacts et en place.

Entretien

La machine doit toujours être propre et sans dépôts de poussière. Vérifier que le tuyau d'aspiration est en bon état et que tous les joints sont intacts et impeccables. Les poignées de transport doivent toujours être sèches et exemptes d'huile et de graisse.

Contrôle

Contrôler régulièrement que l'unité n'est pas endommagée ni usée. Les dommages éventuels doivent être réparés par un centre de service autorisé Dustcontrol.

Description fonctionnelle

Le dépoussiéreur fonctionne avec une dépression (aspiration) qui conduit l'air à travers le couvercle d'aspiration/buse, les systèmes de tuyaux ainsi que les pré-séparateurs et les dépoussiéreurs. Réalisée dans le cyclone de l'unité, la séparation grossière élimine très efficacement toutes les poussières grossières. La poussière fine est séparée dans le filtre de l'unité. Le nettoyage du filtre par impulsion d'air permet de prolonger la durée de vie du filtre. La machine est équipée de microfiltres.

Le dépoussiéreur a les options de collecte suivantes :

c- Sac en plastique : Les matériaux aspirés et séparés sont recueillis dans un sac en plastique de 20 litres qui se retire par une manipulation simple. Le matériau peut donc être facilement recyclé ou éliminé.

a- Conteneur : Un conteneur cylindrique pour la collecte des matériaux séparés.

L- Longopac : La machine est équipée d'un système de sac flexible et la poussière est recueillie dans un système fermé.

Caractéristiques techniques

	DC 2900a	DC 2900c	DC 2900L
HxIxP [mm]	1145x445x630	1110x445x570	1110x445x570
Poids [kg]	22	16	19
Entrée [mm]	Ø 50	Ø 50	Ø 50
Longueur de tuyau Ø38 [m]	5	5	5
Récipient de collecte [l]	40	20	longopac
Débit max. [m ³ /h]	205	205	205
Sous-pression max. [kPa]	24	24	24
Puissance de sortie [W]	1285 (230)	1285 (230)	1285 (230)
Auto : Puissance outil connecté*/min. 200 W	max		
	230 V/10 A: 1200 W		
	230 V/16 A: 2200 W		
Filtre fin polyester, surface [m ²]	1,5	1,5	1,5
Degré de séparation filtre fin	99,9	99,9	99,9
Surface filtrante microfiltre [m ²]	0,85	0,85	0,85
Degré de séparation machine, EN 60335-2-69, Annexe A-A, Classe H [%]	99,995	99,995	99,995
Classification des filtres, EN 1822-1	HEPA H13	HEPA H13	HEPA H13
Niveau sonore [dB (A)]	< 68	< 68	< 68

Fonctionnement

Branchement

Brancher la machine à une prise électrique conforme aux indications de la plaque signalétique de la machine.

Démarrage automatique

Brancher l'outil électrique à la prise de la machine. Réglez le commutateur sur la position AUTO. La machine démarre alors automatiquement lorsque l'outil est démarré. La machine s'éteint quelques secondes après la l'arrêt de l'outil. Pour démarrer manuellement l'aspiration, réglez le commutateur sur la position MAN.

Nettoyage du filtre

La machine est dotée d'un témoin lumineux de filtre qui s'allume lorsque le filtre doit être nettoyé ou remplacé.

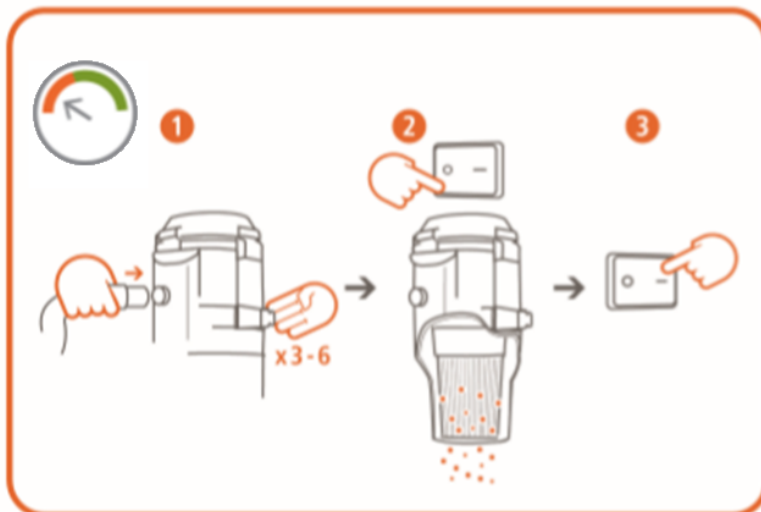
Les filtres doivent être nettoyés 1-2 fois par jour en cas d'utilisation continue et lorsque l'aiguille du manomètre est dans la zone rouge.



Pour nettoyer le filtre :

Pendant le nettoyage du filtre, la machine doit être en marche et le tuyau retiré du tube d'aspiration.

1. Appuyer le manchon de raccordement contre la butée noire du canal de sur le conduit de sortie ou contre le sol afin de générer une dépression maximale dans le cyclone.
Ouvrir le capot latéral 3-6 fois. L'air pénètre dans la machine et nettoie le filtre par impulsion.
2. Éteindre la machine et évacuer le matériau. Rebrancher le tuyau d'aspiration.
3. Démarrer la machine.
4. Si l'aiguille du manomètre est revenue dans la zone verte, le travail peut continuer. Si elle est encore dans la zone rouge, le nettoyage doit être répété. Certaines mesures (par exemple celles qui limitent le débit d'air) peuvent entraîner une valeur élevée sur le manomètre (l'aiguille est dans la zone rouge). La machine ne doit jamais être laissée en permanence lorsque l'aiguille est dans la zone rouge en raison du risque de surchauffe. La transition de la zone verte à la zone rouge a lieu à 18 kPa.



Vidange

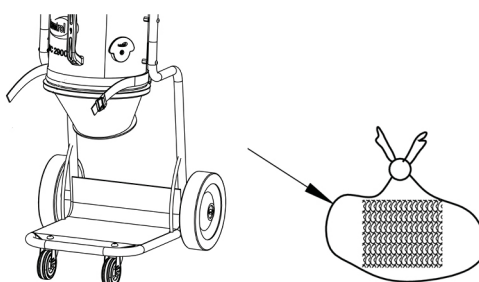
a- Conteneur

Le conteneur sous le cyclone doit être vidé lorsqu'il est rempli aux 2/3 environ.

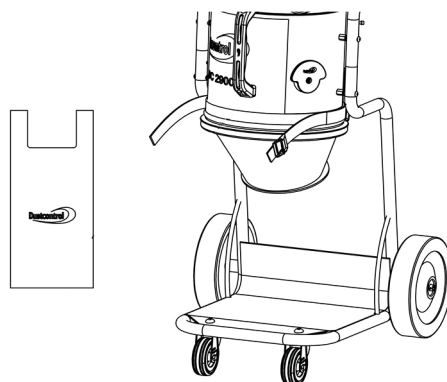
c- Sac en plastique

Le sac en plastique ne peut être remplacé que lorsque les filtres ont été nettoyés. Il doit être remplacé lorsque le niveau de poussière est d'environ 5 cm sous le rabat d'éjection.

Changement de sac sans poussière



La machine doit être sous tension pendant tout le changement de sac. Enlever le sac. Le sac doit être fermé après avoir été retiré de la machine. N'utiliser que des sacs originaux Dustcontrol.



Monter le nouveau sac. Utiliser la sangle de serrage pour un travail sans émission de poussière. Utiliser les crochets pour accrocher le sac.

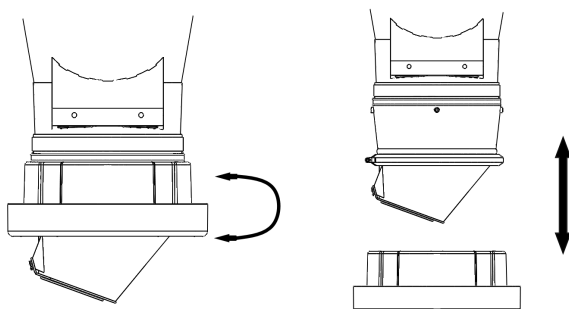
Vider le filtre et utiliser le dépoussiéreur.

L- Longopac

Une fois le sac rempli au niveau jugé approprié, le fermer avec le collier fourni. Un autre collier est attaché un peu plus haut. Cela forme le fond du sac suivant. Le sac rempli est ensuite coupé et la machine est prête à être à nouveau utilisée.

Changement de la recharge de sacs

1. Tourner le support à la position où il peut être tiré vers le bas.
2. Placer une recharge de sacs sur le support et le remettre en place.
3. Couper les 4 attaches qui maintiennent la recharge de sacs et tirer l'extrémité intérieure du sac vers le haut sur la garniture en caoutchouc. Ensuite, attacher le sac avec la sangle de serrage. L'extrémité extérieure est tirée vers le bas sur le support et un collier est utilisé comme fermeture inférieure.



Entretien/maintenance

Nettoyage

Pour le nettoyage et l'entretien de la machine, éteindre la machine et la débrancher de la prise secteur.

Remplacement de filtre

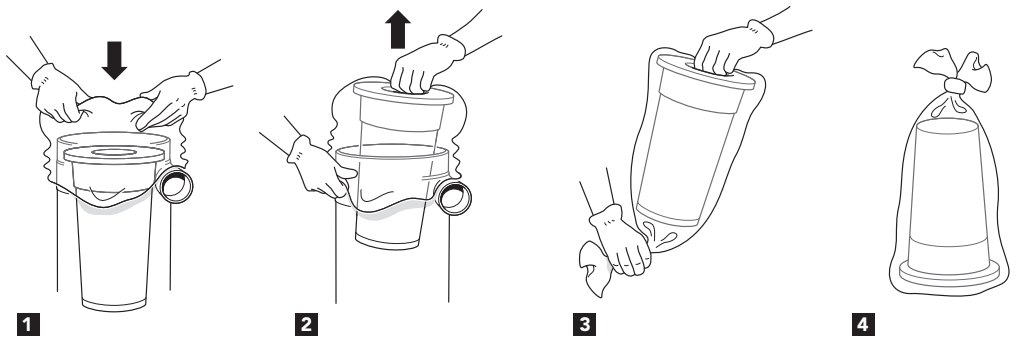
Le filtre fin doit être changé au moins une fois par an. Seuls des filtres d'origine peuvent être utilisés. Les filtres HEPA doivent être remplacés après 300 heures.



AVERTISSEMENT

Le remplacement du filtre ne peut être effectué que par un personnel formé. Utiliser un masque de protection et un équipement approprié.

Desserrer et soulever la partie supérieure pour accéder librement au filtre. Soulever le filtre vers le haut. Si nécessaire, placer un sac en plastique sur le cyclone pour éviter de répandre la poussière dans le filtre. Lors du changement du filtre, vérifier le joint. Un joint non étanche peut entraîner la libération de poussières dangereuses. Ne jamais utiliser de vieux joints ou des joints non d'origine. Les filtres remplacés doivent être placés dans un sac en plastique fermé hermétiquement. Voir les instructions ci-dessous.



Moteur

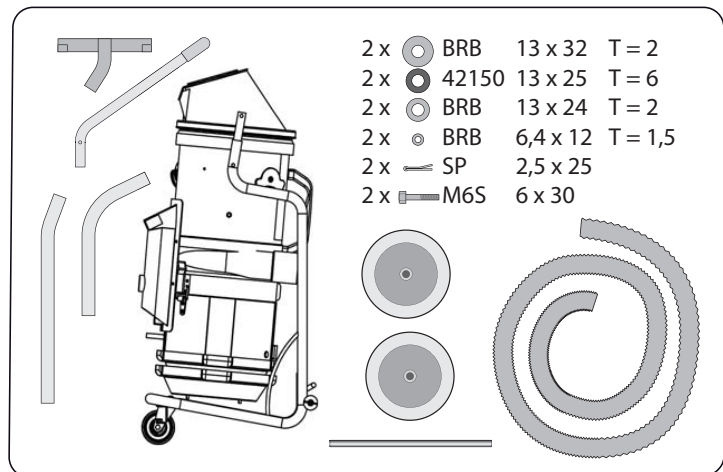
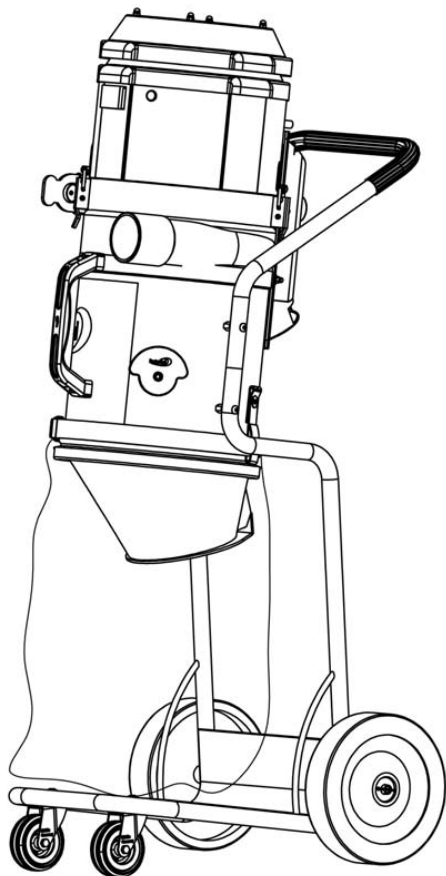
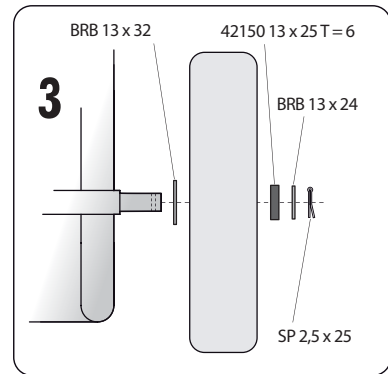
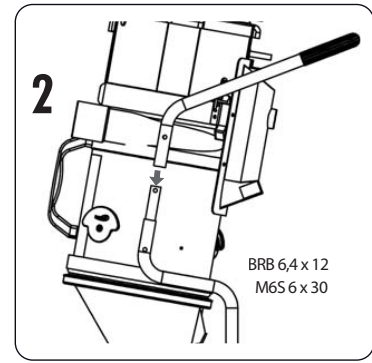
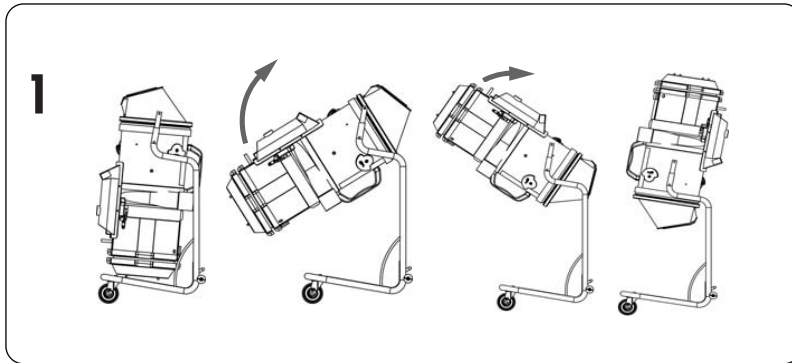
Pour les moteurs à ventilateur, la durée de vie typique des balais d'origine est 600-700 heures. La brosse peut être remplacée. Le deuxième jeu de brosses a une durée de vie d'environ 400 heures et le troisième d'environ 300 heures. Le collecteur est alors usé et le moteur doit être remplacé.

Contrôle régulier

Contrôler régulièrement que le cordon d'alimentation n'est pas endommagé.

Un essai de fonctionnement et une révision de la machine sont obligatoires au moins une fois par an car la machine est utilisée pour des matières dangereuses. Les pièces usées doivent être remplacées. Ne jamais compromettre le bon fonctionnement et la durée de vie. Utiliser uniquement des pièces d'origine.

DC 2900



FRANÇAIS

Consommables

Désignation	Réf.
Sac en plastique, standard	42291
Sac en plastique Longopac 12m	44763
Sac en plastique Longopac 23m	432177
Filtre fin, cellulose avec protection intégrée	42029
Filtre fin, polyester avec protection intégrée	42028
Microfiltre	42027

Pour les pièces détachées, consulter [la page d'accueil de Dustcontrol](#).

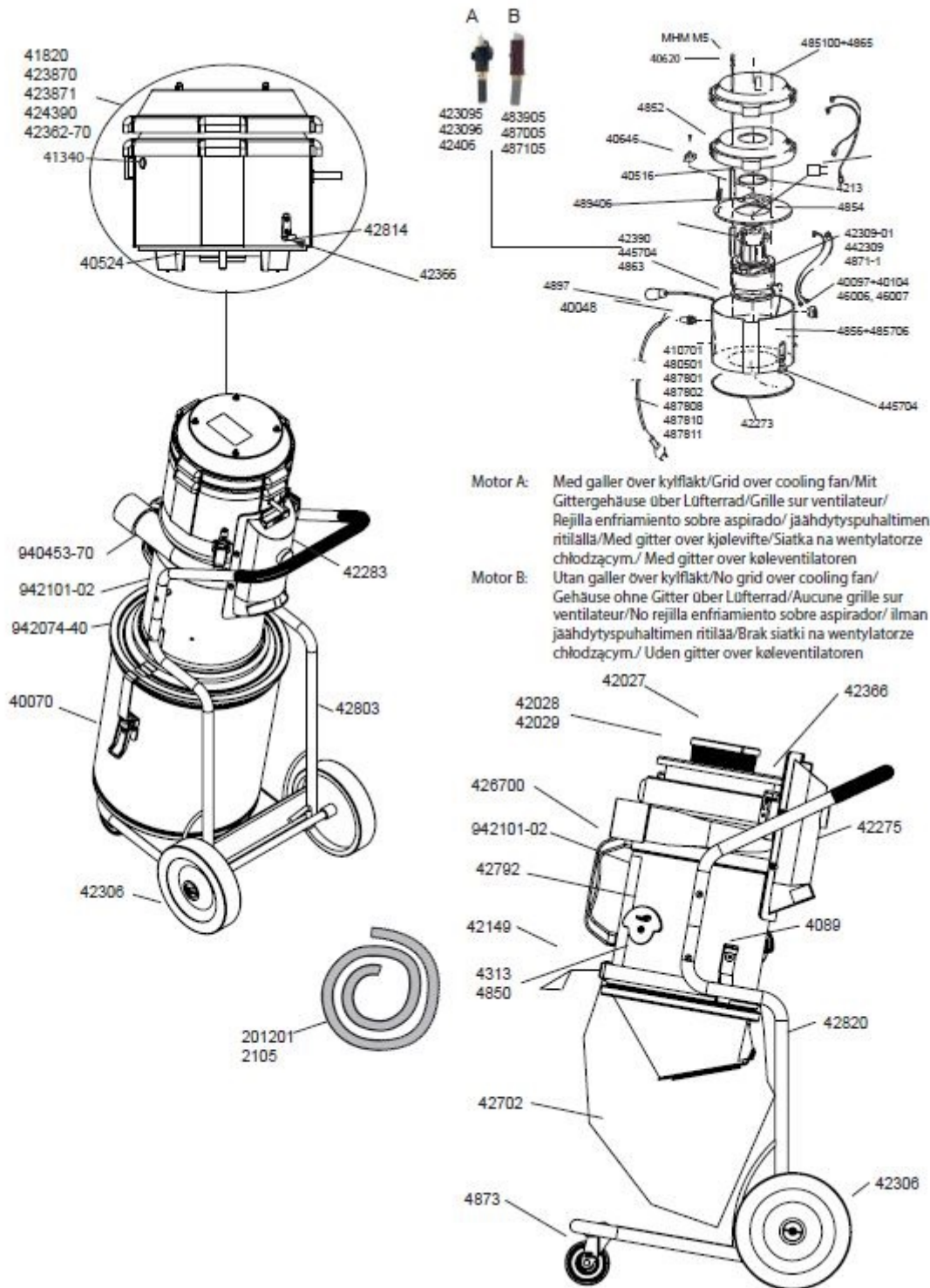
Garantie

La période de garantie est de deux ans et concerne les défauts de fabrication. La garantie s'applique à condition que la machine soit utilisée dans des conditions normales et que l'entretien nécessaire est réalisé. L'usure normale n'est pas couverte par la garantie. Les réparations sont effectuées par Dustcontrol ou par une personne agréée par Dustcontrol. Sinon, la garantie est annulée.

Recherche de pannes

Problème	Cause	Action
Le moteur ne fonctionne pas.	La machine n'est pas branchée à la prise secteur.	Brancher la machine.
Le moteur s'arrête immédiatement après le démarrage.	Mauvais fusible.	Remplacer par un fusible correct.
Le moteur fonctionne, mais la machine n'aspire pas.	Le tuyau d'aspiration n'est pas raccordé.	Brancher le tuyau.
Le moteur fonctionne, mais la machine n'aspire pas bien.	Tuyau d'aspiration troué.	Changer le tuyau.
	Filtre bouché.	Nettoyer ou remplacer.
	Tuyau d'aspiration trop long ou étroit.	Changer le tuyau.
	Tuyau partiellement bouché.	Retourner le tuyau ou le nettoyer.
	Partie supérieure de la machine mal montée.	Vérifier le montage.
	La poussière est piégée dans le cyclone.	Enlever la partie supérieure et nettoyer le cyclone.
	La pompe tourne dans la mauvaise direction.	Demander à un électricien changer la phase.
Le moteur s'arrête pendant le fonctionnement	Le moteur est surchauffé	Vérifier que la machine ne tourne pas à puissance réduite et attendre qu'elle ait refroidi (env. 30 min)
La machine libère de la poussière.	Le filtre est desserré ou cassé.	Vérifier et remplacer si nécessaire.
Bruit anormal de la machine.		Demander l'intervention d'un technicien.

Reservedele/Spare parts/Ersatzteile/Pièces de rechange/Recambios/Varaosat/ Reserveonderdelen/Reservedeler/Reservdelar



FRANÇAIS

Art nr	Benämning	Art nr	Benämning	Art nr	Benämning
201201	Sugslang 38, vridbar anslutningshylsa, antistatisk	423870	Motoröverdel 1285 W 230 V	4852	Lock med hål
2105	Sugslang 38, muff, L=5m	42390	Packning till motor 42309	4854	Platta
40048	Böj-skydd	423095	Borstmekanism Eco-motor, 1285 W, 230 V	4856	Ljudabsorbent för 485702
40070	Behållare, 40 l, plåt	42406	Borstmekanism 1400 W, 230 V	485706	Motormantel
40516	Distans	424390	Motoröverdel auto	4863	Packning
40524	Styrfläns	426700	Handtag	4865	Ljudabsorbent för 485100
40620	Pinnskruv	42702	Plastsäck	487005	Borstmekanism 1200 W, 230 V
40646	Kopplingsplint	42792	Hållare säck	4873	Länkhjul
4089	Spännbandshållare	42803	Chassi DC 2900a	487810	Sladdställ, EU
410701	Sladdställ Auto, EU	42814	Hake	489406	Kretskort 230 V
41340	Indikeringslampa med röd lins	42820	Chassi DC 2900c	4897	Sladdställ Auto med hona
42027	Mikrofilter	4313	Spännband	940453-70	Modul, inlopp, monterad
42028	Finfilter, polyester	442309	Ombyggnadskitt Eco-motor, 230 V EU	94164-E	Bruksanvisning i original, DC 2900a/c/Auto
42029	Finfilter, cellulosa	445704	Packning	942074-40	Bottenlock cyklon
4213	Packning, självhäftande	46006	Kabelsats, motoröverdel STD	942101-02	Modul mantel
42149	Spännband	46007	Kabelsats, motoröverdel AUTO		
42273	Packning	480501	Sladdställ L= 6 m (CH)		
42283	Utluftkanal	4850	Tätningslist		
42306	Hjulsats	485100	Lock		
42309-01	Motor, eco, 1285 W, 230 V				
42366	Spännlås				

Svenska

Part No	Description	Part No	Description	Part No	Description
201201	Suction hose 38, swivel connector sleeve, antistatic	423095	Brush mechanism Eco-motor, 1285 W, 230 V	4850	1050 W, 115 V Gasket
2105	Suction hose 38, L=5m	423096	Brush mechanism Eco-motor, 1340 W, 120 V	485100	Solid cover
40048	Bend protector	42362-70	Fan housing 115 V	4852	Cover with hole
40070	Container, 40 l, metal	42366	Fastener	4854	Plate
40097	Switch, 110 V	423870	Fan housing 1285 W 230 V	4856	Sound absorbent for 485702
40104	Safety cover switch, 110 V	423871	Fan housing UK, 1285 W, 230 V	485706	Motor housing
40516	Spacer	42390	Gasket for motor 42309	4863	Gasket for motor 4870, 4871
40524	Guiding flange	42406	Brush mechanism 1400 W, 230 V	4865	Sound absorbent for 485100
40620	Retaining bolt	424390	Fan housing auto	487005	Brush mechanism 1200 W, 230 V
40646	Terminal connector	426700	Handle	487105	Brush mechanism, 1200 W, 115 V
410701	Cable Auto, EU	42702	Plastic bag	4871-1	Motor 1340 W, 120 V, 50/60 Hz, UL ECO
41340	Indication light with red lens	42792	Holder bag	4873	Caster
4089	Band holder	42803	Chassis DC 2900a	487802	Cable USA/Can, L=2 m
40097	Switch 115 V	42814	Hitch DC 2900	487808	Cable GB, 115 V
40104	Safety cover switch 115 V	42820	Chassis DC 2900c	487810	Cable, EU
41820	Motor cover USA, 1340 W, 115 V	4313	Strap	487811	Cable GB, 220 V
42027	HEPA filter	442309	Retrofit Kit eco Motor 230 V, 1285 W	489406	Circuit card 230 V
42028	Fine filter, polyester	445704	Gasket	940453-70	Inlet
42029	Fine filter, cellulose	46006	Cable set, motor top STD	94164-E	Original instructions DC 2900a/c/Auto
4213	Sealing moulding	46007	Cable set, motor top AUTO	942074-40	Bottom Lock cyclone
42149	Hose Attachment	480501	Cable L= 6 m (CH)	942101-02	Module mantle
42273	Gasket	483905	Brush mechanism,		
42283	Channel outlets				
42306	Wheelset				
42309-01	Motor, eco, 1285 W,				

English

Art Nr	Bezeichnung	Art Nr	Bezeichnung	Art Nr	Bezeichnung
201201	Saugschlauch, Schwenk- verbindungshülse antista- tisch	423095	Kohlebürsten ECO-Motor, 230 V, 1285 W	485100	Deckel
2105	Saugschlauch 38, L=5m	42366	Haken für Behälter	4852	Deckel Loch
40048	Knickschutz	423870	Motoroberteil 1285 W 230 V	4854	Platte
40070	Behälter, 40 l, Metall	42390	Dichtung für motor 42309	4856	Schallisolierung für 485702
40516	Distanz	42406	Kohle 1400 W, 230 V	485706	Motormantel
40524	Flansch	424390	Motoroberteil auto	4863	Dichtung für motor 4870
40620	Stiftschraube	426700	Handgriff	4865	Schallisolierung für 485100
40646	Schaltplint	42702	Plastiktüte	487005	Kohle 1200 W, 230 V
410701	Kabel Auto, EU	42792	Halter Tasche	4873	Lenkrolle
41340	Optisch Anzeige/Linse rot	42803	Chassis DC 2900a	487801	Kabel CH
4089	Spannbandhalterung	42814	Haken DC 2900	487810	Kabel EU
42027	Mikrofilter	42820	Chassis DC 2900c	489406	Kreiskarte 230 V
42028	Feinfilter, Polyester	4313	Spannband	940453-70	Modul, einlass, montiert
42029	Feinfilter, Zellulose	442309	Umbausatz Eco Motor 230 V, 1285 W	94164-E	Originalbetriebsanleitung DC 2900a/c/Auto
4213	Dichtung, selbstklebend	445704	Dichtung	942074-40	Bottom Lock Zyklon
42149	Schlauchhalter	46006	Kabelsatz , Motor oben STD	942101-02	Module Mantel
42283	Dichtung	46007	Kabelsatz , Motor oben AUTO		
42275	Kanalaustritte	480501	Kabel L= 6 m (CH)		
42306	Laufbandsatz	4850	Dichtung		
42309-01	Motor, eco, 1285 W, 230 V				

Art N°	Description	Art N°	Description	Art N°	Description
201201	Tuyau flexible 38, manchon de connecteur pivotant, antistatique	423095	Mécanisme de brosse, moteur éco 230 V, 1285 W	480501	moteur AUTO
2105	Flexible d'aspiration 38, L=5m	42362-70	Tête, complète 115 V	4850	Cordon électrique L= 6 m (CH)
40048	Passe-câble	42366	Verrou de tension	485100	Garniture d'étanchéité
40070	Conteneur, 40 l, tôle	423870	Tête, complète 1285 W 230 V	4852	Couvercle
40516	Rondelle d'écartement	42390	Joint moteur 1400 W	4854	Couvercle intérieur
40524	Bride directrice	42406	Charbon moteur 1400 W, 230 V	4856	Support moteur
40620	Vis allongée	424390	Partie sup. de moteur Auto	485706	Mousse insonorisante moteur 485702
40646	Connecteur électrique	426700	Poignée	4863	Cage de moteur
4089	Porte-sangle	42702	Sac en plastique	4865	Joint
410701	Cordon électrique Auto, EU	42792	Sac titulaire	487005	Mousse insonorisante moteur 485100
41340	Indication lampe/lentille rouge	42803	Châssis DC 2900a	4873	Charbon moteur 1200 W, 230 V
42027	Microfiltre HEPA	42814	Merlu	487810	Roue avant
42028	Filtre fin, polyester	42820	Châssis DC 2900c	489406	Cordon électrique EU
42029	Filtre fin, cellulose	4313	Courroie de serrage	940453-70	Circuit card 230 V
4213	Joint	442309	Kit de mise à niveau Moteur éco 230 V, 1285W	94164-E	Module, l'apport, monté Notice originale DC 2900a/c/Auto
42149	Fixation de tuyau	445704	Jonction	942074-40	Bas cyclones
42273	Joint	46006	Jeu de câbles, haut moteur STD	942101-02	Verrouillage Module manteau
42283	Sorties de canal	46007	Jeu de câbles, haut		
42306	Kit de roues				
42309-01	Moteur, eco, 1285 W, 230 V				

Ref	Descripción	Ref	Descripción	Ref	Descripción
201201	Manguera de succión 38, manga conector giratorio, antiestático		Eco-motor, 1285 W, 230 V	480501	Cable L= 6 m (CH)
2105	Manguera de succión 38, L=5m	42362-70	Carcasa aspirador 115 V	4850	Junta
40048	Curva protección	42366	Abrazadera rápida	485100	Tapa ciega
40070	Contenedores, 40 l, de acero	423870	Carcasa aspirador 1285 W 230 V	4852	Tapa con agujero
40516	Espaciador	42390	Junta motor 1400 W	4854	Placa
40524	Brida guía	42406	Mecanismo de escobillas 1400 W, 230 V	4856	Absorbente de sonido para 485702
40620	Tuerca auto-frenable	424390	Interruptor with cable and condense	485706	Carcasa motor embalaje
40646	Conector terminal	426700	Asa	4863	Absorbente de sonido para 485100
4089	Colgador banda	42702	Bolsa de plástico	4865	Mecanismo de escobillas 1200 W, 230 V
410701	Cable Auto, EU	42792	Titular de la Bolsa de	4873	Rueda pequeña
41340	Indicar lámpara/lente rojo	42803	Chasis DC 2900a	487810	Cable EU
42027	Filtro HEPA	42814	Merluza	489406	Tarjeta electrónica 230 V
42028	Filtro fino, poliéster	42820	Chasis DC 2900c	940453-70	Módulo, el consumo, montaje
42029	Filtro fino, celulosa	4313	Cinta	94164-E	Manual original DC 2900a/c/Auto
4213	Junta moldeada	442309	Kit de actualización Eco-motor, 230 V EU	942074-40	Parte inferior del ciclón de bloqueo
42149	Acoplamiento manguera	445704	Junta	942101-02	Módulo del manto
42273	Junta	46006	Juego de cables, la parte superior del motor STD		
42283	Puntos de venta del canal		Juego de cables, la parte superior del motor AUTO		
42306	Juego de ruedas				
42309-01	Motor, eco, 1285 W, 230 V	46007			
423095	Mecanismo de ruptura,				

Suomi

art.no	Nimike	art.no	Nimike	art.no	Nimike
201201	Imuletku 38, kääntyvä liitin holkki antistaattinen	423095	Harjamekanismi, eco-moottori 230 V, 1285 W	4850	Tiiviste
2105	Imuletku 38, L=5m	42366	Kiristyslukko	485100	Kansi
40048	Taivutussuoja	423870	Moottorikansi 1285 W 230 V	4852	Kansi reiällä
40070	Säiliö, 40 l, metalli	42390	Tiiviste moottori 42309	4854	Levy
40516	Välitappi	42406	Hiliharja 1400 W, 230 V	4856	Äänieriste 485702
40524	Ohjauslaippa	424390	Moottorikansi auto	485706	Moottorikansi
40620	Pinnaruuvi	426700	Kahva	4863	Pakkaus
40646	KytKentäpala	42702	Muovipussi	4865	Äänieriste 485100
4089	Nauhapidike	42792	Haltija pussi	487005	Hiliharjalas 1200 W, 230 V
410701	Kaapeli Auto, EU	42803	Alusta DC 2900a	4873	Pyörä,kääntyvä
41340	Varoitusvalo/ punainen linssi	42814	Kummeliturkska	487803	kaapeli,sv
42027	Mikrosuodatin	42820	Alusta DC 2900c	487810	kaapeli, EU
42028	Tiiviste, polyester	4313	Kiristysnauha	489406	Piirikortti 230 V
42029	Tiiviste	442309	Jälkiasennussarja eco moottori 230 V, 1285 W	940453-70	Moduuli, saanti, asennetaan
4213	Tiiviste,itsekiinnittyvä	445704	Tiiviste	94164-E	Alkuperäiset ohjeet, DC 2900a/c/Auto
42149	Letkun liitäntä	46006	Kaapelisarjoja, moottori top STD	942074-40	Pohjalukitus sykloni
42273	Tiiviste	46007	Kaapelisarjoja, moottori top AUTO	942101-02	Moduuli vaipan
42283	Kanava myyntipisteistä				
42306	Pyöräsarja				
42309-01	Moottori, eco, 1285 W, 230 V	480501	Kaapeli L= 6 m (CH)		

Norsk

Art. nr	Benevnelse	Art. nr	Benevnelse	Art. nr	Benevnelse
201201	Sugeslange 38, swivel-kontakt ermet antista tiske	42309-01	Motor, eco, 1285 W, 230 V	46007	Kabelsett, motor toppen AUTO
2105	Sugeslange 38, muff, L=5m	423095	Børstemekanisme Eco-motor, 1285 W, 230 V	480501	Kabling L= 6 m (CH)
40048	Bendbeskyttelse	42366	Spennlås	4850	Tetningslist
40070	Beholdere, 40 l, plate	423870	Motoroverdel 1285 W 230 V	485100	Lokk
40516	Distanse	42390	Pakning for motor 42309	4852	Lokk med hull
40524	Styreflens	42406	Børstemekanisme 1400 W, 230 V	4854	Plate
40620	Pinneskrue	424390	Motoroverdel auto	4856	Lydabsorbent for 485702
40646	Koblingssplint	426700	Håndtak	485706	Motormantel
4089	Spennbåndsholder	42702	Plastpose	4863	Pakking
410701	EI kabel Auto, EU	42792	Holder veske	4865	Lydabsorbent for 485100
41340	Indikeringslampe/linse rød	42803	Chassi DC 2900a	487005	Børstemekanisme 1200 W, 230 V
42027	Mikrofilter	42814	Hake	4873	Lenkhjul
42028	Finfilter, polyester	42820	Chassi DC 2900c	487810	Kabling, EU
42029	Finfilter, cellulose	4313	Spennbånd	489406	Kretskort 230 V
4213	Pakning, selvheftende	442309	Gjenoppbygging Kitt Eco-motor, 230 V EU	940453-70	Module, inntak, monter
42149	Slangefeste	445704	Pakning	94164-E	Original bruksanvisning, DC 2900a/c/Auto
42273	Pakning	46006	Kabelsett, motor toppen STD	942074-40	Bunnlås sykklon
42283	Utluftkanal			942101-02	Modul mantelen
42306	Hjulsats				

Polski

Nr kat.	Opis	Nr kat.	Opis	Nr kat.	Opis
201201	Wąż ssący 38, Złącze obrotowe tuleja, antysta-tyczny	423095	Mechanizm szczotkowy Eco-motor, 1285 W, 230 V	46007	Zestaw kabli, silnik góry AUTO
2105	Wąż ssący 38, L=5m	42366	Łącznik	480501	Przewód L= 6 m (CH)
40048	Zabezpieczenie przed zgięciem	423870	Obudowa wentylatora 1285 W, 230 V	4850	Uszczelka
40070	Pojemnik, 40 l, metalowy	42390	Uszczelka do silnika 42309	485100	Pokrywa pełna
40516	Element dystansowy	42406	Mechanizm szczotkowy1400 W, 230 V	4852	Pokrywa z otworem
40524	Kołnierz prowadzący	424390	Obudowa wentylatora Auto	4854	Płytk
40620	Śruba mocująca	426700	Uchwyt	4856	Tłumik do 485702
40646	Złącze	42702	Worek z tworzywa sztucznego	485706	Obudowa silnika
410701	Przewód Auto, EU	42792	Worek	4863	Uszczelka do silnika
41340	Czerwona kontrolka	42803	Podstawa DC 2900a	4865	Tłumik do 485100
4089	Uchwyt taśmowy	42814	Łącznik	487005	Mechanizm szczotkowy 1200 W, 230 V
40097	Przełącznik 115 V	42820	Podstawa DC 2900c	4871	Silnik 1200 W, 115 V
40104	Przełącznik 115 V z pokrywą bezpieczeństwa	4313	Pasek	4873	Kółko samonastawne
42027	Filtr HEPA	442309	Przebudowa Kitt Eco-motor, 230 V EU	487802	Przewód USA/Kanada
42028	Poliestrowy filtr dokładny	445704	Uszczelka	487808	Przewód GB2, 115 V
42029	Celulozowy filtr dokładny	46006	Zestaw kabli, silnik góry STD	487810	Przewód UE
4213	Kształtka uszczelniająca			487811	Przewód GB1, 230 V
42149	Wąż podłączeniowy			489406	Płytk obwodów 230 V
42273	Uszczelka			940453-70	Wlot
42283	Wyloty kanału			94164-E	Oryginalna instrukcja DC 2900a/c/Auto
42306	Zestaw kołowy			942074-40	Odpylacz z blokadą dolną
42309-01	Silnik, eco, 1285 W, 230 V			942101-02	Ośłona modułowa

Déclaration CE

Nous assurons par la présente que DC 2900 est conforme aux réglementations et normes suivantes :

2006/42/EC, 2014/30/EU, 2014/35/EU, EN 60204-1:2018, EN1822-1:2019.

Dustcontrol AB



Nina Uggowitzer / CEO

2021-09-15



Peter Söderling / Technical Manager

2021-09-15

DEEE (Déchets d'équipements électriques et électroniques)

S'applique uniquement aux pays de l'UE : Les outils électriques ne doivent pas être jetés dans les ordures ménagères. En vertu de la directive 2002/96/CE relative aux équipements électriques et électroniques plus anciens et de son application en droit national, les outils électriques en fin de vie doivent être triés et soumis à un recyclage respectueux de l'environnement.

Veiligheidsvoorschriften

Lees de volgende veiligheidsinstructies door voordat u deze machine start. Bewaar de gebruikshandleiding. Als de veiligheidsinstructies niet worden gevolgd is de garantie niet langer geldig en dit kan leiden tot persoonlijk letsel of schade aan het product. Dustcontrol is niet verantwoordelijk voor schade aan de apparatuur die is ontstaan vanwege onjuiste installatie of onjuiste omgang met de apparatuur.

Waarschuwing

Deze machine is ontworpen voor professioneel gebruik.

Gebruik alleen accessoires en vervangende onderdelen uit het assortiment van Dustcontrol.



WAARSCHUWING

Gebruik de machine waarvoor deze bedoelde is. Volg de voorschriften voor het materiaal dat opgezogen wordt.



WAARSCHUWING

Deze machine is uitsluitend bedoeld voor het opzuigen van droog materiaal.



WAARSCHUWING

Bij gebruik van elektrische apparaten moeten elementaire veiligheidsmaatregelen in acht worden genomen om het risico van brand, elektrische schokken of lichamelijk letsel te verkleinen.



WAARSCHUWING

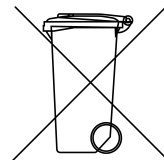
Indien verkeerde of nagemaakte producten gebruikt worden (met name filter, slangen en plastic zakken) kan er stof uit de machine lekken dat gevaarlijk voor de gezondheid kan zijn, met persoonlijk letsel tot gevolg.

Milieubescherming

Verpakkingsmaterialen kunnen gerecycled worden. Gooi de verpakking niet bij het huishoudelijk afval, breng het naar het milieustation. Afdankte aggregaten bevatten herwinbare materialen die gerecycled moeten worden. Batterijen, olie en dergelijke stoffen mogen niet in het milieu komen. Voer afdankte aggregaten af naar een geschikt milieustation.

Afdankte apparaten bevatten recyclebaar materiaal dat moet worden gerecycled. Batterijen, olie en dergelijke mogen niet in het milieu terechtkomen. Overhandig afdankte eenheden aan een geschikt recyclingsysteem.

Afdankte filters bevatten recyclebaar materiaal dat moet worden gerecycled. Breng gebruikte filters over naar een geschikt recyclingsysteem.



Voor meer informatie kunt u contact opnemen met uw dichtstbijzijnde milieustation.

Arbeidsomstandigheden

Stel de machine niet bloot aan vocht. Niet gebruiken in vochtige en natte ruimten of in de nabijheid van ontvlambare vloeistoffen of gassen.



LET OP

Deze machine mag alleen gebruikt en opgeslagen worden in een droge omgeving.



LET OP

De machine mag niet met water worden afgespoeld.

Overbelasting

Laat de machine nooit draaien als deze verstopt is aangezien dit een kans op oververhitting oplevert.

Lichamelijk letsel



LET OP

Probeer nooit zelf elektrische verbindingen te wijzigen. Een fout kan levensgevaar opleveren!

Zorg dat het zuigmondstuk nooit in contact komt met een lichaamsdeel. De sterke onderdruk kan bloedvaten in de huid beschadigen.



WAARSCHUWING

Bij montage, hantering en transport van de machine moeten veiligheidshandschoenen worden gebruikt als preventieve bescherming tegen de scherpe randen.

Netsnoer

Trek de machine nooit aan het netsnoer voort. Zorg dat het netsnoer niet beschadigd raakt door warmte en scherpe voorwerpen. Controleer het netsnoer regelmatig.

Bij het verlengen van het netsnoer, moet het verlengsnoer waterbestendig zijn.

De machine mag niet worden gebruikt als het netsnoer of de stekker beschadigd zijn.

Als het netsnoer beschadigd is, moet het worden vervangen door Dustcontrol of door een door Dustcontrol geautoriseerde werkplaats.

Belangrijke maatregel

De machine mag uitsluitend gebruikt worden wanneer alle filters onbeschadigd zijn en op hun plaats zitten.

Onderhoud

Houd de machine schoon en vrij van stofafzettingen. Let er op dat de zuigslang heel is en dat alle aansluitingen intact en foutvrij zijn. De draaghandgrepen moeten droog gehouden worden en vrij van olie en vet.

Controle

Controleer het apparaat regelmatig op schade of slijtage. Bij schade moet dit verholpen worden door een door Dustcontrol geautoriseerde werkplaats.

Beschrijving van de werking

De stofafscheider werkt met onderdruk (zuiging) die de lucht door de zuigkap/het mondstuk, slangensysteem en voor- en stofafscheider leidt. De grove scheiding gebeurt in de cycloon van de eenheid die voor een zeer effectieve scheiding van het grovere stof zorgt. Het fijne stof wordt in een filter opgevangen. Het schoonmaken van het filter met luchtpulsen zorgt voor een extra lange levensduur van het filter. De machine is voorzien van een microfilter.

De stofafscheider heeft de volgende afvoeropties:

c- Plastic zak: Het opgezogen en afgescheiden materiaal wordt in een plastic zak van 20 liter verzameld. Deze kan met een eenvoudige handeling worden los gehaald. Het materiaal kan dan daarna gemakkelijk gerecycled of weggegooid worden.

a- Container: Een cilindrische container voor het opvangen van gescheiden materiaal.

L- Longopac: De machine is uitgerust met een flexibel zakkensysteem, waarin het stof wordt verzameld in een gesloten systeem.

Technische gegevens

	DC 2900a	DC 2900c	DC 2900L
HxBxD [mm]	1145x445x630	1110x445x570	1110x445x570
Gewicht [kg]	22	16	19
Ingang [mm]	Ø 50	Ø 50	Ø 50
Slanglengte Ø38 [m]	5	5	5
Opvangcontainer [l]	40	20	longopac
Flow max [m ³ /u]	205	205	205
Onderdruk max [kPa]	24	24	24
Vermogen [W]	1285 (230)	1285 (230)	1285 (230)
Auto: Vermogen aangesloten gereedschappen*/min 200W	max		
	230 V/10 A: 1200 W		
	230 V/16 A: 2200 W		
Fijnfilter polyester, oppervlak [m ²]	1,5	1,5	1,5
Filtervermogen fijnfilter	99,9	99,9	99,9
Filteroppervlak microfilter [m ²]	0,85	0,85	0,85
Filtervermogen machine, EN 60335-2-69, Aanhangsel A-A, klasse H [%]	99,995	99,995	99,995
Filterclassificatie, EN 1822-1	HEPA H13	HEPA H13	HEPA H13
Geluidsniveau [dB(A)]	< 68	< 68	< 68

Bediening

Aansluiting

Sluit de machine aan op een stopcontact met spanning volgens de specificaties op het typeplaatje van de machine.

Auto-start

Sluit een elektrisch gereedschap aan op het stopcontact op de machine. Zet de schakelaar op de stand AUTO. De machine start dan automatisch wanneer het gereedschap wordt gestart. Een paar seconden nadat het aangesloten gereedschap is uitgezet, wordt de machine uitgeschakeld. Zet de schakelaar in de stand MAN om het opzuigen handmatig te starten.

Reinigen van het filter

De machine heeft een filterindicatielampje dat gaat branden wanneer het filter gereinigd of vervangen moet worden.

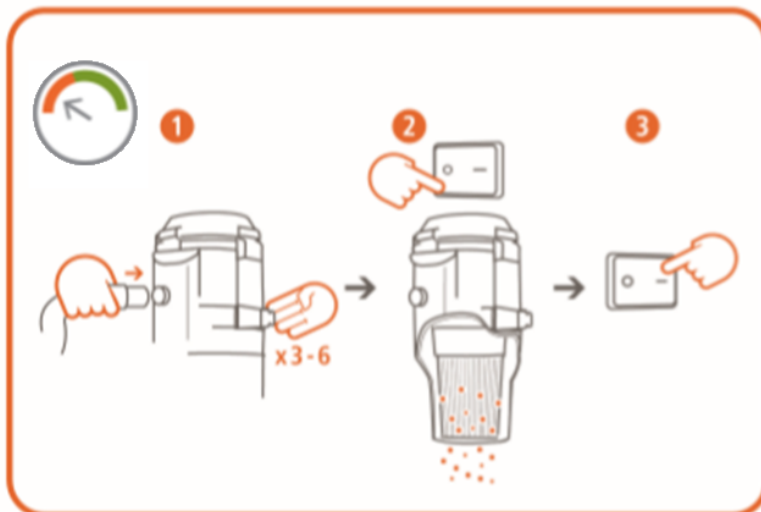
Het filter moet bij continu gebruik 1-2 keer per dag gereinigd worden en wanneer de manometernaald in het rode gebied staat.



Zo maakt u het filter schoon:

Tijdens het reinigen van het filter moet de machine in bedrijf zijn en moet de slang losgemaakt zijn van de afzuigbuis.

1. Druk de aansluitmof tegen het zwarte stopblok op het afvoerkanal of tegen de vloer om de maximale onderdruk in de cyclon te bereiken.
Open het deksel aan de zijkant 3 tot 6 keer. De lucht stroomt de machine in en reinigt het filter via drukpulsen.
2. Zet de machine uit en laat het materiaal naar beneden vallen. Sluit de zuigleiding weer aan.
3. Start de machine.
4. Als de naald van de manometer weer terug in het groene gebied staat, kunnen de werkzaamheden worden voortgezet. Als de naald nog steeds in het rode gebied staat, moet het reinigingsproces herhaald worden. Sommige maatregelen (bijv. die de luchtstroom beperken) kunnen ertoe leiden dat de manometer een hoge waarde weergeeft (de wijzer staat in het rode gebied). De machine mag nooit permanent achtergelaten worden indien de naald in het rode gebied staat omdat dit een risico op oververhitting vormt. De overgang van het groene naar het rode gebied ligt op 18 kPa.



Legen

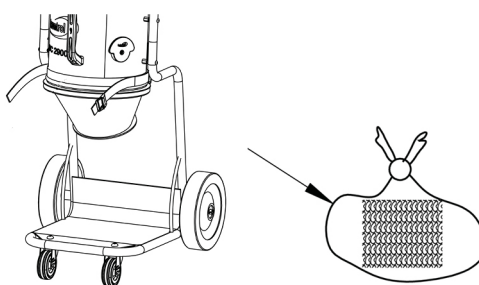
a- Container

De container onder de cycloon moet geleegd worden wanneer deze voor ca. 2/3 vol is.

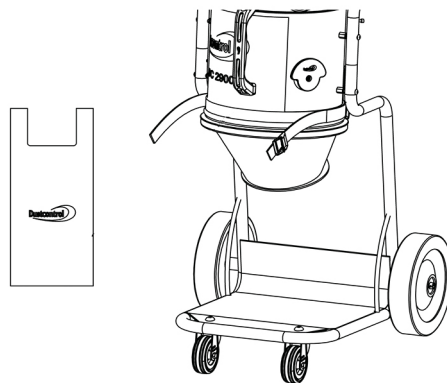
c- Plastic zak

De plastic zak mag alleen worden vervangen nadat de filters zijn schoongemaakt. Hij moet worden vervangen wanneer het stofniveau ongeveer 5 cm onder de ejectieflap ligt.

Stofvrij wisselen van zak



De machine moet voortdurend aan staan tijdens het wisselen van de zak. Verwijder de zak. De zak moet worden dichtgemaakt nadat deze uit de container is gehaald. Gebruik alleen originele zakken van Dustcontrol.



Monteer de nieuwe zak. Gebruik de spanband om stofvrij te kunnen werken. Gebruik de haken om de zak gemakkelijk op te hangen.

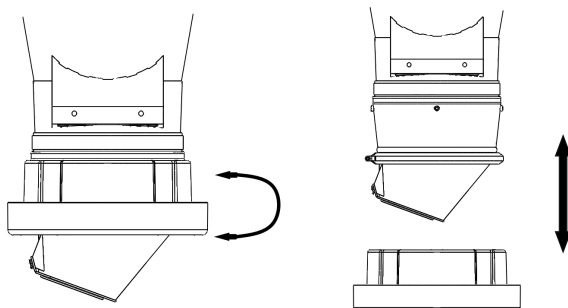
Maak het filter schoon en gebruik de stofafscheider.

L - Longopac

Wanneer de zak vol is tot het niveau dat volgens u geschikt is, wordt hij dichtgebonden met de bindbandjes die meegeleverd worden. Een stukje hoger wordt nog een bindbandje bevestigd. Dit vormt de bodem voor de volgende zak. Vervolgens wordt de volle zak losgeknipt en is de machine klaar om opnieuw gebruikt te worden.

Zakkenmagazijn vervangen

1. Draai de houder naar de positie waarin het naar beneden kan worden getrokken.
2. Bevestig een zakkenmagazijn in de houder en plaats de houder terug.
3. Knip de 4 banden door die het zakkenmagazijn bij elkaar houden en trek het binnenste uiteinde van de zak naar boven over de rubberen rand heen. Zet de zak vervolgens vast met de spanband. Het buitenste uiteinde wordt over de houder getrokken en er wordt een bindbandje bevestigd als bodemaafdichting.



Service/onderhoud

Schoonmaken

Bij het reinigen en onderhoud van de machine, moet de machine worden uitgezet en de stekker uit het contact worden gehaald.

Filter vervangen

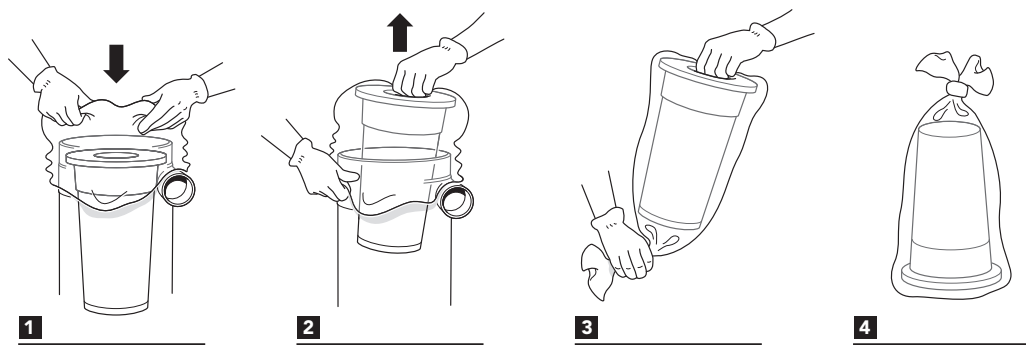
Het fijn filter moet ten minste eenmaal per jaar worden vervangen. Er mogen alleen originele filters worden gebruikt. HEPA-filters moeten na 300 uur worden vervangen.



WAARSCHUWING

Een filter vervangen mag alleen worden uitgevoerd door geïnstrueerd personeel. Gebruik een beschermend masker en geschikte apparatuur.

Maak los en til het bovenste deel eraf om goed bij het filter te kunnen. Til het filter recht omhoog. Rijg, indien nodig, een plastic zak over de cycloon om te voorkomen dat het stof in het filter zich verspreidt. Controleer de pakking bij het veranderen van het filter. Een lekkende pakking kan leiden tot de uitstoot van gevaarlijk stof. Gebruik nooit oude pakkingen of namaak. Vervangen filters moeten in een plastic zak worden gelegd, die wordt afgesloten. Zie onderstaande instructies.



Motor

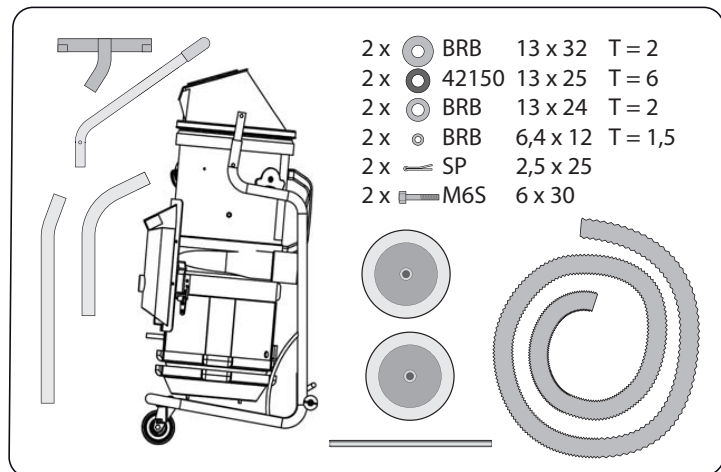
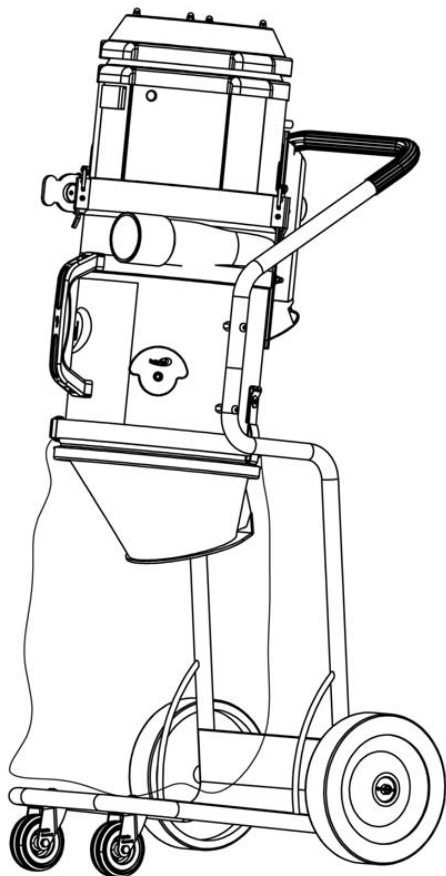
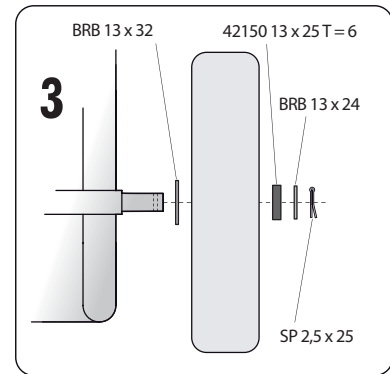
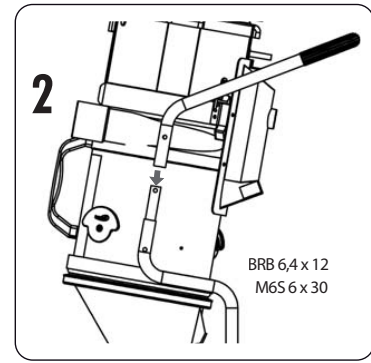
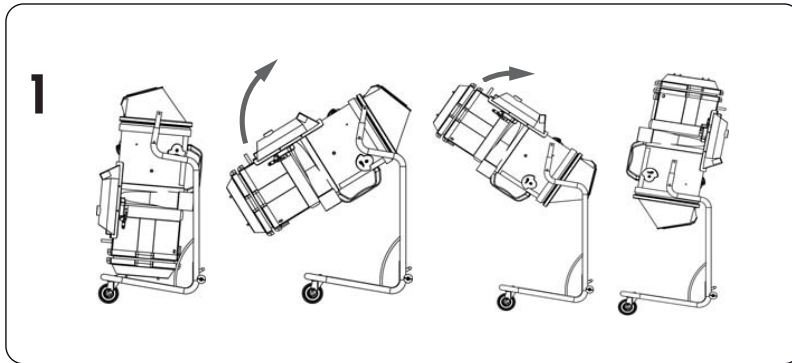
Voor ventilatormotoren is de typische levensduur van de originele borstels 600-700 uur. De borstels kunnen vervangen worden. De levensduur van het tweede borstelpakket is ongeveer 400 uur en het derde borstelpakket gaat ongeveer 300 uur mee. Hierna is de rotor versleten en moet de motor vervangen worden.

Regelmatige controle

Controleer regelmatig of het netsnoer niet beschadigd is.

De machine moet ten minste eenmaal per jaar worden getest en nagekeken, omdat dit een machine is voor materialen die gevaarlijk kunnen zijn voor de gezondheid. Versleten onderdelen moeten worden vervangen. Breng functie en levensduur nooit in gevaar. Gebruik alleen originele onderdelen.

DC 2900



Verbruiksartikelen

Naam	Art. nr.
Plastic zak, standaard	42291
Plastic zak Longopac 12m	44763
Plastic zak Longopac 23m	432177
Fijnfilter, cellulose met geïntegreerde filterbescherming	42029
Fijnfilter, polyester met geïntegreerde filterbescherming	42028
Microfilter	42027

Voor reserveonderdelen, zie de [website van Dustcontrol](#).

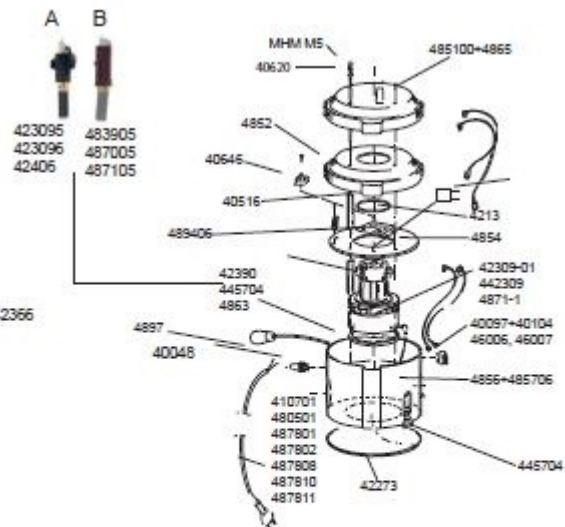
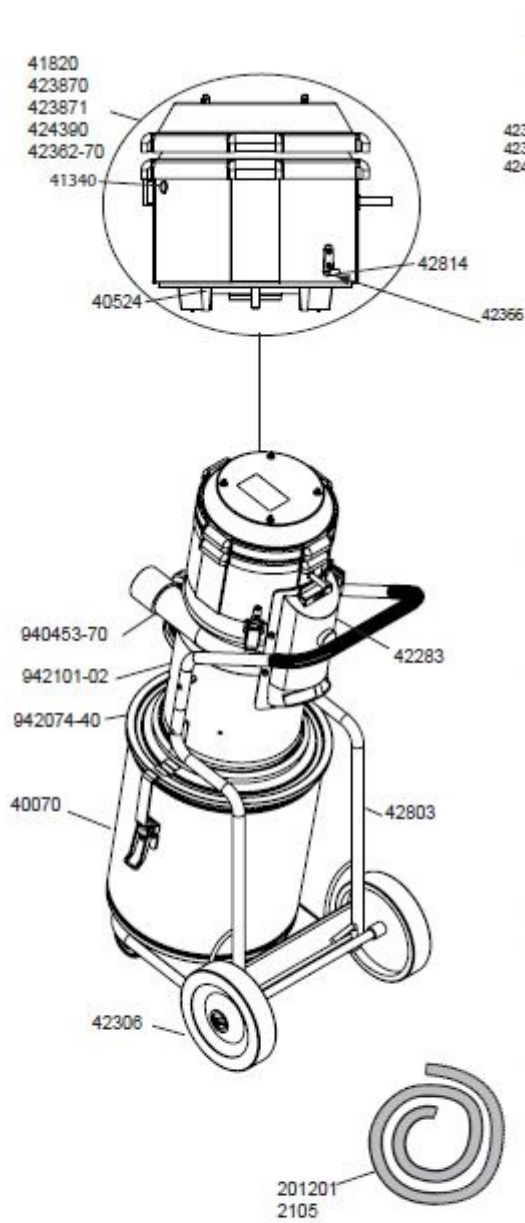
Garantie

De garantieperiode is twee jaar en heeft betrekking op fabricagefouten. De garantie geldt op voorwaarde dat de machine wordt gebruikt op normale wijze en de vereiste service ontvangt. Normale slijtage wordt niet vergoed. Reparaties moeten worden uitgevoerd door Dustcontrol of door een persoon die door Dustcontrol is goedgekeurd. Anders kan de garantie komen te vervallen.

Probleemoplossing

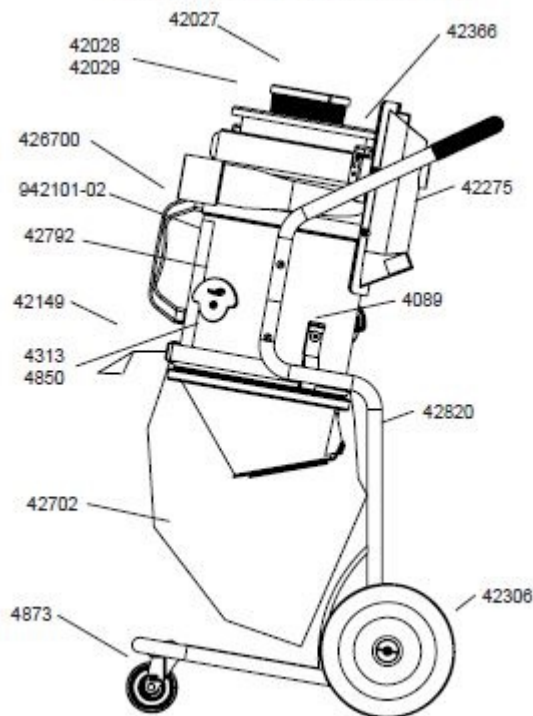
Probleem	Oorzaak	Maatregel
De motor werkt niet.	Elektriciteit niet aangesloten.	Sluit de elektriciteit aan.
De motor stopt direct na het starten.	Defecte zekering.	Vervang door een juiste zekering.
De motor loopt, maar de machine zuigt niet.	De zuigslang is niet aangesloten. Slang is verstopt.	Sluit de slang aan. Draai de slang of maak schoon.
De motor loopt, maar de machine zuigt slecht.	Gat in de zuigslang.	Vervang de slang.
	Verstopt filter.	Schoonmaken of vervangen.
	Zuigslang te lang of te smal.	Vervang de slang.
	Slang gedeeltelijk verstopt.	Draai de slang of maak schoon.
	De bovenkant van de machine niet goed geplaatst.	Plaats op de juiste manier.
	Er is stof vast komen te zitten in de cycloon.	Verwijder de bovenkant en maak de cycloon schoon.
De pomp draait in de verkeerde richting.	Laat de elektricien de fase omwisselen.	
Motor stopt tijdens gebruik	Motor is oververhit	Zorg ervoor dat de machine niet wordt afgeknepen en wacht tot de machine is afgekoeld (ongeveer 30 minuten)
De machine blaast stof uit.	Het filter is losgeraakt of kapot.	Controleer en vervang indien nodig.
Abnormaal geluid van de machine.		Laat nakijken..

Reservedele/Spare parts/Ersatzteile/Pièces de rechange/Recambios/Varaosat/ Reserveonderdelen/Reservedeler/Reservdelar



Motor A: Med galler over kylflakt/Grid over cooling fan/Mit Gittergehäuse über Lüfterrad/Grille sur ventilateur/Rejilla enfriamiento sobre aspirador/jäähdytyspuhaltimen ritilalla/Med gitter over kjølevifte/Siatka na wentylatorze chłodzącym/ Med gitter over køleventilatoren

Motor B: Utan galler over kylflakt/No grid over cooling fan/ Gehäuse ohne Gitter über Lüfterrad/Aucune grille sur ventilateur/No rejilla enfriamiento sobre aspirador/ ilman jäähdytyspuhaltimen ritilää/Brak siatki na wentylatorze chłodzącym/ Uden gitter over køleventilatoren



Art nr	Benämning	Art nr	Benämning	Art nr	Benämning
201201	Sugslang 38, vridbar anslutningshylsa, antistatisk	423870	Motoröverdel 1285 W 230 V	4852	Lock med hål
2105	Sugslang 38, muff, L=5m	42390	Packning till motor 42309	4854	Platta
40048	Böj-skydd	423095	Borstmekanism Eco-motor, 1285 W, 230 V	4856	Ljudabsorbent för 485702
40070	Behållare, 40 l, plåt	42406	Borstmekanism 1400 W, 230 V	485706	Motormantel
40516	Distans	424390	Motoröverdel auto	4863	Packning
40524	Styrfläns	426700	Handtag	4865	Ljudabsorbent för 485100
40620	Pinnskruv	42702	Plastsäck	487005	Borstmekanism 1200 W, 230 V
40646	Kopplingsplint	42792	Hållare säck	4873	Länkhjul
4089	Spännbandshållare	42803	Chassi DC 2900a	487810	Sladdställ, EU
410701	Sladdställ Auto, EU	42814	Hake	489406	Kretskort 230 V
41340	Indikeringslampa med röd lins	42820	Chassi DC 2900c	4897	Sladdställ Auto med hona
42027	Mikrofilter	4313	Spännband	940453-70	Modul, inlopp, monterad
42028	Finfilter, polyester	442309	Ombyggnadskitt Eco-motor, 230 V EU	94164-E	Bruksanvisning i original, DC 2900a/c/Auto
42029	Finfilter, cellulosa	445704	Packning	942074-40	Bottenlock cyklon
4213	Packning, självhäftande	46006	Kabelsats, motoröverdel STD	942101-02	Modul mantel
42149	Spännband	46007	Kabelsats, motoröverdel AUTO		
42273	Packning	480501	Sladdställ L= 6 m (CH)		
42283	Utluftkanal	4850	Tätningslist		
42306	Hjulsats	485100	Lock		
42309-01	Motor, eco, 1285 W, 230 V				
42366	Spännlås				

Svenska

English

Part No	Description	Part No	Description	Part No	Description
201201	Suction hose 38, swivel connector sleeve, antistatic	423095	Brush mechanism Eco-motor, 1285 W, 230 V	4850	1050 W, 115 V Gasket
2105	Suction hose 38, L=5m	423096	Brush mechanism Eco-motor, 1340 W, 120 V	485100	Solid cover
40048	Bend protector	42362-70	Fan housing 115 V	4852	Cover with hole
40070	Container, 40 l, metal	42366	Fastener	4854	Plate
40097	Switch, 110 V	423870	Fan housing 1285 W 230 V	4856	Sound absorbent for 485702
40104	Safety cover switch, 110 V	423871	Fan housing UK, 1285 W, 230 V	485706	Motor housing
40516	Spacer	42390	Gasket for motor 42309	4863	Gasket for motor 4870, 4871
40524	Guiding flange	42406	Brush mechanism 1400 W, 230 V	4865	Sound absorbent for 485100
40620	Retaining bolt	424390	Fan housing auto	487005	Brush mechanism 1200 W, 230 V
40646	Terminal connector	426700	Handle	487105	Brush mechanism, 1200 W, 115 V
410701	Cable Auto, EU	42702	Plastic bag	4871-1	Motor 1340 W, 120 V, 50/60 Hz, UL ECO
41340	Indication light with red lens	42792	Holder bag	4873	Caster
4089	Band holder	42803	Chassis DC 2900a	487802	Cable USA/Can, L=2 m
40097	Switch 115 V	42814	Hitch DC 2900	487808	Cable GB, 115 V
40104	Safety cover switch 115 V	42820	Chassis DC 2900c	487810	Cable, EU
41820	Motor cover USA, 1340 W, 115 V	4313	Strap	487811	Cable GB, 220 V
42027	HEPA filter	442309	Retrofit Kit eco Motor 230 V, 1285 W	489406	Circuit card 230 V
42028	Fine filter, polyester	445704	Gasket	940453-70	Inlet
42029	Fine filter, cellulose	46006	Cable set, motor top STD	94164-E	Original instructions DC 2900a/c/Auto
4213	Sealing moulding	46007	Cable set, motor top AUTO	942074-40	Bottom Lock cyclone
42149	Hose Attachment	480501	Cable L= 6 m (CH)	942101-02	Module mantle
42273	Gasket	483905	Brush mechanism,		
42283	Channel outlets				
42306	Wheelset				
42309-01	Motor, eco, 1285 W,				

Art Nr	Bezeichnung	Art Nr	Bezeichnung	Art Nr	Bezeichnung
201201	Saugschlauch, Schwenk- verbindungshülse antista- tisch	423095	Kohlebürsten ECO-Motor, 230 V, 1285 W	485100	Deckel
2105	Saugschlauch 38, L=5m	42366	Haken für Behälter	4852	Deckel Loch
40048	Knickschutz	423870	Motoroberteil 1285 W 230 V	4854	Platte
40070	Behälter, 40 l, Metall	42390	Dichtung für motor 42309	4856	Schallisolierung für 485702
40516	Distanz	42406	Kohle 1400 W, 230 V	485706	Motormantel
40524	Flansch	424390	Motoroberteil auto	4863	Dichtung für motor 4870
40620	Stiftschraube	426700	Handgriff	4865	Schallisolierung für 485100
40646	Schaltplint	42702	Plastiktüte	487005	Kohle 1200 W, 230 V
410701	Kabel Auto, EU	42792	Halter Tasche	4873	Lenkrolle
41340	Optisch Anzeige/Linse rot	42803	Chassis DC 2900a	487801	Kabel CH
4089	Spannbandhalterung	42814	Haken DC 2900	487810	Kabel EU
42027	Mikrofilter	42820	Chassis DC 2900c	489406	Kreiskarte 230 V
42028	Feinfilter, Polyester	4313	Spannband	940453-70	Modul, einlass, montiert
42029	Feinfilter, Zellulose	442309	Umbausatz Eco Motor 230 V, 1285 W	94164-E	Originalbetriebsanleitung DC 2900a/c/Auto
4213	Dichtung, selbstklebend	445704	Dichtung	942074-40	Bottom Lock Zyklon
42149	Schlauchhalter	46006	Kabelsatz , Motor oben STD	942101-02	Module Mantel
42283	Dichtung	46007	Kabelsatz , Motor oben AUTO		
42275	Kanalaustritte	480501	Kabel L= 6 m (CH)		
42306	Laufbandsatz	4850	Dichtung		
42309-01	Motor, eco, 1285 W, 230 V				

Art N°	Description	Art N°	Description	Art N°	Description
201201	Tuyau flexible 38, manchon de connecteur pivotant, antistatique	423095	Mécanisme de brosse, moteur éco 230 V, 1285 W	480501	moteur AUTO
2105	Flexible d'aspiration 38, L=5m	42362-70	Tête, complète 115 V	4850	Cordon électrique L= 6 m (CH)
40048	Passe-câble	42366	Verrou de tension	485100	Garniture d'étanchéité
40070	Conteneur, 40 l, tôle	423870	Tête, complète 1285 W 230 V	4852	Couvercle
40516	Rondelle d'écartement	42390	Joint moteur 1400 W	4854	Couvercle intérieur
40524	Bride directrice	42406	Charbon moteur 1400 W, 230 V	4856	Support moteur
40620	Vis allongée	424390	Partie sup. de moteur Auto	485706	Mousse insonorisante moteur 485702
40646	Connecteur électrique	426700	Poignée	4863	Cage de moteur
4089	Porte-sangle	42702	Sac en plastique	4865	Joint
410701	Cordon électrique Auto, EU	42792	Sac titulaire	487005	Mousse insonorisante moteur 485100
41340	Indication lampe/lentille rouge	42803	Châssis DC 2900a	4873	Charbon moteur 1200 W, 230 V
42027	Microfiltre HEPA	42814	Merlu	487810	Roue avant
42028	Filtre fin, polyester	42820	Châssis DC 2900c	489406	Cordon électrique EU
42029	Filtre fin, cellulose	4313	Courroie de serrage	940453-70	Circuit card 230 V
4213	Joint	442309	Kit de mise à niveau Moteur éco 230 V, 1285W	94164-E	Module, l'apport, monté Notice originale DC 2900a/c/Auto
42149	Fixation de tuyau	445704	Jonction	942074-40	Bas cyclones
42273	Joint	46006	Jeu de câbles, haut moteur STD	942101-02	Verrouillage Module manteau
42283	Sorties de canal	46007	Jeu de câbles, haut		
42306	Kit de roues				
42309-01	Moteur, eco, 1285 W, 230 V				

Ref	Descripción	Ref	Descripción	Ref	Descripción
201201	Manguera de succión 38, manga conector giratorio, antiestático		Eco-motor, 1285 W, 230 V	480501	Cable L= 6 m (CH)
2105	Manguera de succión 38, L=5m	42362-70	Carcasa aspirador 115 V	4850	Junta
40048	Curva protección	42366	Abrazadera rápida	485100	Tapa ciega
40070	Contenedores, 40 l, de acero	423870	Carcasa aspirador 1285 W 230 V	4852	Tapa con agujero
40516	Espaciador	42390	Junta motor 1400 W	4854	Placa
40524	Brida guía	42406	Mecanismo de escobillas 1400 W, 230 V	4856	Absorbente de sonido para 485702
40620	Tuerca auto-frenable	424390	Interruptor with cable and condense	485706	Carcasa motor embalaje
40646	Conector terminal	426700	Asa	4863	Absorbente de sonido para 485100
4089	Colgador banda	42702	Bolsa de plástico	4865	Mecanismo de escobillas 1200 W, 230 V
410701	Cable Auto, EU	42792	Titular de la Bolsa de	4873	Rueda pequeña
41340	Indicar lámpara/lente rojo	42803	Chasis DC 2900a	487810	Cable EU
42027	Filtro HEPA	42814	Merluza	489406	Tarjeta electrónica 230 V
42028	Filtro fino, poliéster	42820	Chasis DC 2900c	940453-70	Módulo, el consumo, montaje
42029	Filtro fino, celulosa	4313	Cinta	94164-E	Manual original DC 2900a/c/Auto
4213	Junta moldeada	442309	Kit de actualización Eco-motor, 230 V EU	942074-40	Parte inferior del ciclón de bloqueo
42149	Acoplamiento manguera	445704	Junta	942101-02	Módulo del manto
42273	Junta	46006	Juego de cables, la parte superior del motor STD		
42283	Puntos de venta del canal		Juego de cables, la parte superior del motor AUTO		
42306	Juego de ruedas				
42309-01	Motor, eco, 1285 W, 230 V	46007			
423095	Mecanismo de ruptura,				

Suomi

art.no	Nimike	art.no	Nimike	art.no	Nimike
201201	Imuletku 38, kääntyvä liitin holkki antistaattinen	423095	Harjamekanismi, eco-moottori 230 V, 1285 W	4850	Tiiviste
2105	Imuletku 38, L=5m	42366	Kiristyslukko	485100	Kansi
40048	Taivutussuoja	423870	Moottorikansi 1285 W 230 V	4852	Kansi reiällä
40070	Säiliö, 40 l, metalli	42390	Tiiviste moottori 42309	4854	Levy
40516	Välitappi	42406	Hilliharja 1400 W, 230 V	4856	Äänieriste 485702
40524	Ohjauslaippa	424390	Moottorikansi auto	485706	Moottorikansi
40620	Pinnaruuvi	426700	Kahva	4863	Pakkaus
40646	KytKentäpala	42702	Muovipussi	4865	Äänieriste 485100
4089	Nauhapidike	42792	Haltija pussi	487005	Hilliharjalas 1200 W, 230 V
410701	Kaapeli Auto, EU	42803	Alusta DC 2900a	4873	Pyörä,kääntyvä
41340	Varoitusvalo/ punainen linssi	42814	Kummeliturkska	487803	kaapeli,sv
42027	Mikrosuodatin	42820	Alusta DC 2900c	487810	kaapeli, EU
42028	Tiiviste, polyester	4313	Kiristysnauha	489406	Piirikortti 230 V
42029	Tiiviste	442309	Jälkiasennussarja eco moottori 230 V, 1285 W	940453-70	Moduuli, saanti, asennetaan
4213	Tiiviste,itsekiinnittyvä	445704	Tiiviste	94164-E	Alkuperäiset ohjeet, DC 2900a/c/Auto
42149	Letkun liitântä	46006	Kaapelisarjoja, moottori top STD	942074-40	Pohjalukitus sykloni
42273	Tiiviste	46007	Kaapelisarjoja, moottori top AUTO	942101-02	Moduuli vaipan
42283	Kanava myyntipisteistä				
42306	Pyöräsarja				
42309-01	Moottori, eco, 1285 W, 230 V	480501	Kaapeli L= 6 m (CH)		

Norsk

Art. nr	Benevnelse	Art. nr	Benevnelse	Art. nr	Benevnelse
201201	Sugeslange 38, swivel-kontakt ermet antista tiske	42309-01	Motor, eco, 1285 W, 230 V	46007	Kabelsett, motor toppen AUTO
2105	Sugeslange 38, muff, L=5m	423095	Børstemekanisme Eco-motor, 1285 W, 230 V	480501	Kabling L= 6 m (CH)
40048	Bendbeskyttelse	42366	Spennlås	4850	Tetningslist
40070	Beholdere, 40 l, plate	423870	Motoroverdel 1285 W 230 V	485100	Lokk
40516	Distanse	42390	Pakning for motor 42309	4852	Lokk med hull
40524	Styreflens	42406	Børstemekanisme 1400 W, 230 V	4854	Plate
40620	Pinnerkrue	424390	Motoroverdel auto	4856	Lydabsorbent for 485702
40646	Koblingssplint	426700	Håndtak	485706	Motormantel
4089	Spennbåndsholder	42702	Plastpose	4863	Pakking
410701	EI kabel Auto, EU	42702	Plastpose	4865	Lydabsorbent for 485100
41340	Indikeringslampe/linse rød	42792	Holder veske	487005	Børstemekanisme 1200 W, 230 V
42027	Mikrofilter	42803	Chassi DC 2900a	4873	Lenkhjul
42028	Finfilter, polyester	42814	Hake	487810	Kabling, EU
42029	Finfilter, cellulose	42820	Chassi DC 2900c	489406	Kretskort 230 V
4213	Pakning, selvheftende	4313	Spennbånd	940453-70	Module, inntak, monter
42149	Slangefeste	442309	Gjenoppbygging Kitt Eco-motor, 230 V EU	94164-E	Original bruksanvisning, DC 2900a/c/Auto
42273	Pakning	445704	Pakning	942074-40	Bunnlås sykklon
42283	Utluftkanal	46006	Kabelsett, motor toppen STD	942101-02	Modul mantelen
42306	Hjulsats				

Polski

Nr kat.	Opis	Nr kat.	Opis	Nr kat.	Opis
201201	Wąż ssący 38, Złącze obrotowe tuleja, antysta-tyczny	423095	Mechanizm szczotkowy Eco-motor, 1285 W, 230 V	46007	Zestaw kabli, silnik góry AUTO
2105	Wąż ssący 38, L=5m	42366	Łącznik	480501	Przewód L= 6 m (CH)
40048	Zabezpieczenie przed zgięciem	423870	Obudowa wentylatora 1285 W, 230 V	4850	Uszczelka
40070	Pojemnik, 40 l, metalowy	42390	Uszczelka do silnika 42309	485100	Pokrywa pełna
40516	Element dystansowy	42406	Mechanizm szczotkowy 1400 W, 230 V	4852	Pokrywa z otworem
40524	Kołnierz prowadzący	424390	Obudowa wentylatora Auto	4854	Płytki
40620	Śruba mocująca	426700	Uchwyt	4856	Tłumik do 485702
40646	Złącze	42702	Worek z tworzywa sztucznego	485706	Obudowa silnika
410701	Przewód Auto, EU	42702	Worek	4863	Uszczelka do silnika
41340	Czerwona kontrolka	42792	Worek	4865	Tłumik do 485100
4089	Uchwyt taśmowy	42803	Podstawa DC 2900a	487005	Mechanizm szczotkowy 1200 W, 230 V
40097	Przełącznik 115 V	42814	Łącznik	4871	Silnik 1200 W, 115 V
40104	Przełącznik 115 V z pokrywą bezpieczeństwa	42820	Podstawa DC 2900c	4873	Kółko samonastawne
42027	Filtr HEPA	4313	Pasek	487802	Przewód USA/Kanada
42028	Poliestrowy filtr dokładny	442309	Przebudowa Kitt Eco-motor, 230 V EU	487808	Przewód GB2, 115 V
42029	Celulozowy filtr dokładny	445704	Uszczelka	487810	Przewód UE
4213	Kształtka uszczelniająca	46006	Zestaw kabli, silnik góry STD	487811	Przewód GB1, 230 V
42149	Wąż podłączeniowy			489406	Płytki obwodów 230 V
42273	Uszczelka			940453-70	Włot
42283	Wyloty kanału			94164-E	Oryginalna instrukcja DC 2900a/c/Auto
42306	Zestaw kołowy			942074-40	Odpylacz z blokadą dolną
42309-01	Silnik, eco, 1285 W, 230 V			942101-02	Ośłona modułowa

EG-verklaring

Hierbij verzekeren wij dat: DC 2900 voldoet aan de volgende voorschriften en normen:

2006/42/EC, 2014/30/EU, 2014/35/EU, EN 60204-1:2018, EN1822-1:2019.

Dustcontrol AB



Nina Uggowitzer / CEO
2021-09-15




Peter Söderling / Technical Manager
2021-09-15


WEEE (Waste of Electric and Electronic Equipment), ofwel AEEA: Afval van elektrische en elektronische apparatuur

Geldt uitsluitende voor EU-landen: Elektrische apparaten mogen niet als huishoudelijk afval worden verwijderd. Volgens Richtlijn 2002/96/EG betreffende oudere elektrische en elektronische apparatuur en de toepassing ervan volgens nationale regelgeving, moeten afgedankte elektrische apparaten apart worden gesorteerd en voor milieuvriendelijke recycling worden aangeboden.


Contact

Dustcontrol Worldwide

 **AT**
Dustcontrol Ges.m.b.H.
info@dustcontrol.at
www.dustcontrol.at

 **AU**
Archquip – All Preparation Equipment
www.allpreparationequipment.com.au

 **BENELUX**
Dust Solutions BV
www.dustsolutions.nl

 **BG**
Metaltech14 Ltd.
metaltex14@abv.bg
www.dustcontrolbg.com

 **CA** Dustcontrol
Canada Inc.
info@dustcontrol.ca
www.dustcontrol.ca

 **CH**
Rosset Technik Maschinen
Werkzeuge AG
info@rosset-technik.ch
www.rosset-technik.ch

 **CL**
Beckart Tecnologia Ambiental S.A.
ambitec@ambitec.cl
www.ambitec.cl

 **CN**
Suzhou Dustcollect Filtration
Technology Co. Ltd.
wang@dustcollect.cn
www.dustcollect.cn

 **CZ / SK** Ener
Group CZ, S.R.O. Infolinka:
+420 602 795 800
info@energroun.cz
www.prumysloveodsavani.cz/

 **DE**
Dustcontrol GmbH
info@dustcontrol.de
www.dustcontrol.de

 **DK**
Construction – Erenfred Pedersen A/S
info@ep.dk
www.ep.dk

Industry – Dansk Procesventilation ApS
info@dansk-procesventilation.dk
www.dansk-procesventilation.dk

 **EE**
G-Color Baltic OÜ
sales@g-color.ee
www.g-color.ee

 **ES**
Barin, s.a.
info@barin.es
www.barin.es


 **GB**
Dustcontrol UK Ltd.
sales@dustcontrol.co.uk
www.dustcontrol.co.uk

 **GR**
Mavrogiannakis S.A
ektos@enternet.gr
www.ektosenternet.gr


 **FI**
Dustcontrol FIN OY
dc@dustcontrol.fi
www.dustcontrol.fi

 **FR**
Construction – SMH Equipements
info@abequipements.com
www.smhequipements.com

Industry – Dustcontrol AB
info@dustcontrol.fra
www.dustcontrol.fra

 **HR**
Kermek d.o.o.
kruno.nedeljko@kermek.com
www.kermek.com

 **HU**
Vandras Kft
vandras@t-online.hu
www.vandras.hu

 **IN**
Advance Ventilation Pve Ltd.
sales@advanceventilation.com
www.advanceventilation.com

 **IT**
Airum srl
info@airum.com
www.airum.com

 **KR**
ESH Engineering Co.
eshengco@gmail.com
www.eshengco.com

 **LT**
UAB Hidromega
info@hidromega.lt
www.hidromega.lt


 **LV**
SIA Reaktivs
reaktivs@reaktivs.lv
www.reaktivs.lv

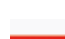
 **MY, ID**
Ståda EnviroSpace Bhd
info@stada.com.my
www.stada.com.my

 **NO**
Teijo Norge A.S
firmapost@teijo.no
www.teijo.no

 **NZ**
Artizan Diamond Tools
enquiry@artizandiamond.co.nz
www.artizandiamond.co.nz

 **PE**
Efixo
contacto@efixo.pe
www.efixo.pe

 **PH**
Sweden Concrete Machines Inc.
peringe@packoskick.se
www.swedenconcretemachines.ph

 **PL**
Bart Sp. z. o.o.
info@bart-vent.pl
www.bart-vent.pl

 **PT**
Metec-Mecano Técnica, Lda.
geral@metec.pt
www.metec.pt

 **RO**
AWS Elektrotehnik
office@awstehnik.ro
www.awstehnik.ro

General Contractor Industry SRL
office@gci-grup.ro
www.gci-grup.ro


 **RS**
Enel Alati
eneldoo@eunet.rs
www.eneldoo.rs

 **RU**
Centre Vacuum System
panov.g@movers-td.com
www.dustcontrolrus.ru

 **SE**
Dustcontrol AB
info@dustcontrol.se
www.dustcontrol.com

 **SG**
Ståda EnviroSpace Pte Ltd
Info@stada.com.my
www.stada.com.my

 **TW**
Goodland Enterprise Co., Ltd.
sales@goodland.com.tw
www.goodland.com.tw

 **TH**
MCON Intertrade Co., Ltd.
sales@mconintertrade.com
www.mconintertrade.com

 **TR** Ventek
Mühendislik Ltd.
info@ventek.com.tr
www.ventek.com.tr

 **AE**
Global Enterprises Trading Co L.L.C.
sales@globalentco.com
www.globalentco.com

GEM
Industrial Equipment Trading Co. Tel:
+971 4 8840 474
Email: gemuae@eim.ae

 **UA**
MBK Obshemashkontrakt, JSC
zao@omk.dp.ua
www.omk.dp.ua

 **US**
Dustcontrol Inc.
info@dustcontrolusa.com
www.dustcontrol.us

 **VN**
Tayhostar JSC
tayhostar@tayhostar.vn
www.tayhostar.vn

Please contact the head office
in Sweden if you do not find a
distributor in your area.
info@dustcontrol.se